



Cooking Appliances Catalogue

KUMTEL®



Contents

Built-in Ovens **8-37**

Hobs **40-59**

Range Hoods **61-75**

Free Standing Ovens **78-105**

Mini Ovens **108-127**



KUMTEL, a family-owned company since its foundation, has started its activity and succeeded in producing the first phone that is working with a moneybox in Turkey. Since 1972, we have been specialized in the manufacturing of a wide range of electrical home appliances such as heating products, cooking products, built-in sets, and small home appliances. Our company closely follows the developments in the sector, has expanded its product range by merging its production experience with technology. With the motto 'Cooking & Heating: That's Our Expertise' KUMTEL aims to meet the different consumer needs in different geographical regions of the world and continues to meet the increasing quality and innovation expectations of the market with its R & D activities.

KUMTEL is one of the leading Turkish manufacturers of electrical home appliances, exporting more than 100 countries and placed in the top largest 500 industrial companies since 2003. Producing with the mission of delivering the best quality product to the customer, all products of our company are CE certified. In addition, the compliance of our products with all safety and standards such as TSE, SGS, LVD, EMC, RoHS has been documented by world-renowned standard organizations.

Kumtel aims to maintain its stable growth. In this direction, in order to reach the new markets, we have invested in Ethiopia in 2016 and established a factory in Addis Ababa. In 2020, we have launched Kumtel Europe GmbH in Dormagen, Germany for the European market's demand. The recent move in this direction is the construction of the new Kumtel factory in Incesu, Kayseri in 2021. We keep producing quality products for the world and we promise to keep growing by increasing the standards.

KUMTEL®

HISTORY OF KUMTEL

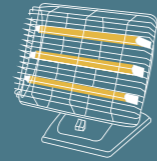
**1972
FOUNDING**
KUMTEL started its operations with a money-box telephone in Kayseri in 1972.



**1973
MONEY BOX PHONE**
With the money-box phone production, KUMTEL succeeded to be the first local phone manufacturer.

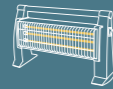


**1976
CERAMIC STONE HEATER**
KUMTEL entered to the heating sector with the production of the ceramic stone heater.



**1980
KUMTEL CARPET SWEEPER**
Iconic small appliance of 1980s, CARPET SWEEPER, added to the product range.

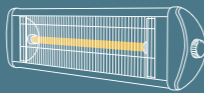
**1985
MINI OVEN**
KUMTEL stepped into the cooking sector with the production of mini ovens.



**1987-1988
LAND PHONE - QUARTZ HEATER**
Both heating and communication technology continued to develop.



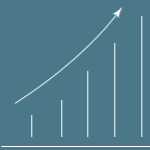
**1995
ECORAY**
With ECORAY infrared heater, KUMTEL has become the market leader of Turkey in the heating sector which it still keeps the position.



**2000
PRODUCT RANGE IS EXPANDING**
Closely following the developments in the sector, KUMTEL included free-standing ovens, cookers and small appliances to its product range.



**2003
AMONG THE TOP 500 INDUSTRIAL COMPANIES**
Since 2003, KUMTEL among Turkey's top 500 industrial enterprises.



**2016
BUILT-IN APPLIANCES**
KUMTEL entered in the built-in appliances and get significant market share in a very short time.



**2020
CONTINUES TO DEVELOP**
Our company has the mission of delivering the best quality products to the customers and aiming to maintain its steady growth in the following years.



HISTORY OF KUMTEL

KUMTEL®

Built-in Ovens



KUMTEL®

A6 & B66 SERIES



If you are fond of traditional cooking, you need a traditional cook. The oven cooks food using conventional heating elements and fans. Equipped models and fans help distribute hot air more evenly throughout the oven cavity, allowing for more cooking sensitivity. There are two models to choose from: the A6 series and the B66 series.

HARR TECHNOLOGY



%40 Energy Saving

Our built-in products with Harr technology can be produced in A and A+ energy classes and provide maximum cooking performance with minimum energy consumption. Compared to the built-in ovens of competitor companies in the same energy class, performed under laboratory conditions, our products provide energy savings of up to 40%.





Telescopic Rail

We have 2 different rail systems, extendable and fully extendable, and thanks to the telescopic rail system the tray can be easily shelved in the oven. Telescopic rails facilitate cooking control during cooking.

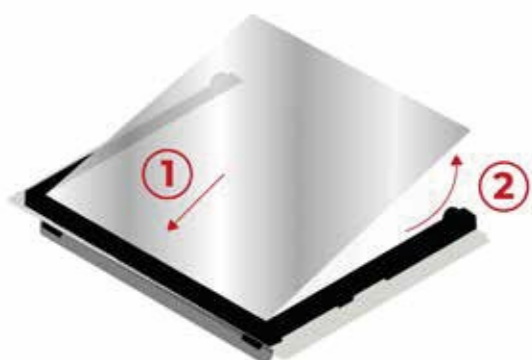


Easy To Clean Panel

Thanks to the High technology smooth glasses, in our Built-in Ovens, the entire surface of the oven can be easily cleaned. Thanks to the pop-up buttons and the touchscreen digital screen. Interior lighting, you are always in control of the food cooked in the oven.



Easy Removable Inner Glass for Cleaning



The inner glass of our built-in ovens can be removed and cleaned manually. The dirt, that is stuck between 2 glasses, can be reached easily.



Catalytic Cavity

The special removable catalytic material is covering the inner surface of our built-in ovens, absorbs oil residues that cause visual pollution and bad smells. Catalytic walls, which regularly absorb the splashing oils during cooking, increase comfort by saving the customer from cleaning.





Wire Shelf System

Side wire shelves in our built-in ovens can be easily removed and it's suitable for washing with dishwasher thereby it will be ready for next use effortless.

KUMTEL

Pyrolytic Cleaning System

The temperature inside the oven rises to 450°C - 480°C thereby grease and food residues on the oven's inner walls, burnt. Burnt wastes are cleaned through the catalyst chimney and given to the kitchen environment purely. All you have to do is clean the inside of the oven with a damp cloth.

Pyrolytic cleaning time: 90 minutes.



Defrost

In de-frost mode, no heating mood is used. Only the fan is activated to circulate the air inside the oven. You can gently defrost frozen food at room temperature or cool cooked food.





Cool Touch Door

Thanks to the 3 glasses that is applied in our Built-in Ovens, the inside of the oven is keeping warm, while the heating. The outer glass is prevented from the heat by indoor glasses.



Rotisserie

Our built-in ovens have the feature of turning chicken and with this skill, delicious chicken menus can be prepared.



KUMTEL



3D Cooking Technology

3D Cooking technology activates the lower, upper, and turbo heaters in the oven at the same time and distributes the heat even intensity. In this way, the heat is evenly distributed on all surfaces of the food and ideal cooking takes place. With 3D Cooking technology, food is cooked evenly without burning.





Anti FingerPrint Panel

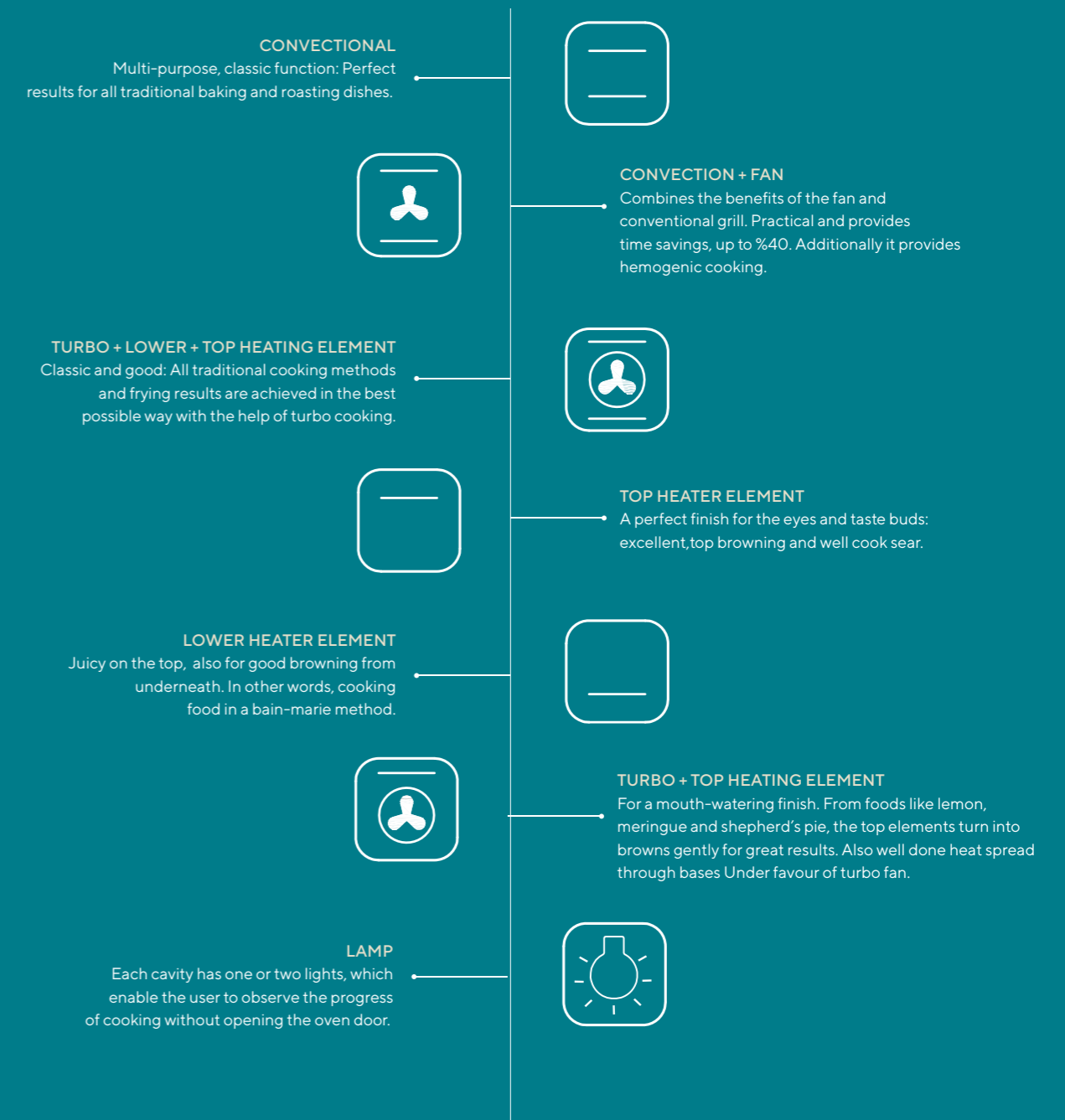
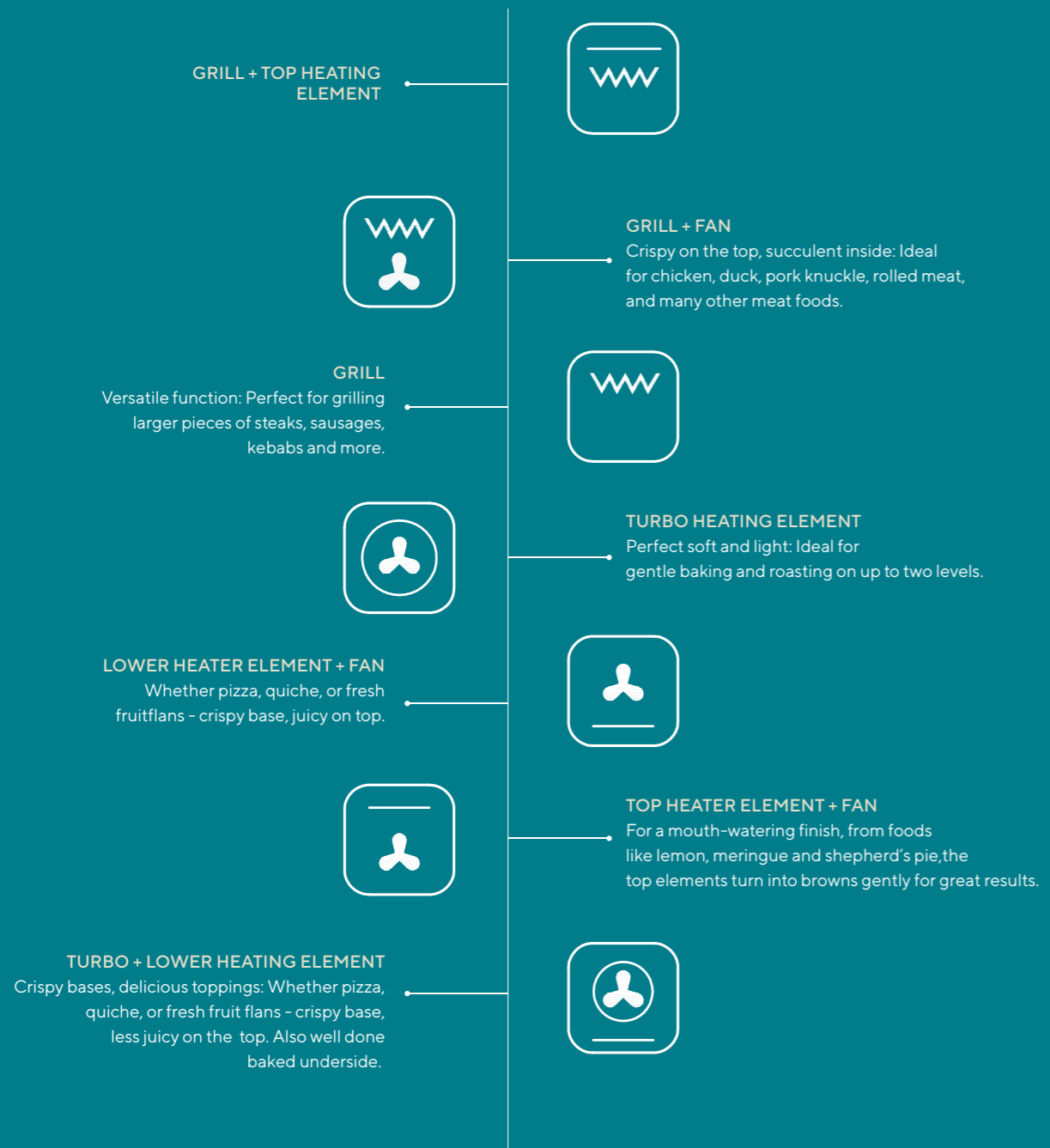
The steel coating is stain-proof and has fingerprint-resistant. Even when used on daily touches, the surface remains gleaming and bright.



Zero Emissions in Gas Ovens

In our gas-formed built-in ovens, the gases that consisted while during the cooking are instantly evacuated by a chimney designed towards the front. Therefore, efficient cooking is provided in the zero-emission environment. As a result of the tests in the laboratory conditions, the carbon monoxide rate in the flue gas was determined as 0%.





A6 SERIES FEATURES



A6-S3

Main Features

Easy to clean & removable full glass inner door
Desired functions can be added
Enamelled side walls
Hologen lighting

Technical Features

A Energy Class (S2 A+ Energy)
Oven Capacity: 57-61 L
H x W x D: 59.5 x 60 x 63.5 cm



A6-S3 MT

Main Features

Mechanic timer
Easy to clean & removable full glass inner door
Desired functions can be added
Hologen lighting
Enamelled side walls

Technical Features

A Energy Class (S2 A+ Energy)
Oven Capacity: 57-61 L
H x W x D: 59.5 x 60 x 63.5 cm



A6-SF3 DT

Main Features

6 Buttons digital timer
Easy to clean & removable full glass inner door
Desired functions can be added
Hologen lighting
Enamelled side walls

Technical Features

A Energy Class (SF2 A+ Energy)
Oven Capacity: 57-61 L
H x W x D: 59.5 x 60 x 63.5 cm



A6-SF3 DDT

Main Features

Touch control digital timer
Easy to clean & removable full glass inner door
Desired functions can be added
Hologen lighting
Enamelled side walls

Technical Features

A Energy Class (SF2 A+ Energy)
Oven Capacity: 57-61 L
H x W x D: 59.5 x 60 x 63.5 cm



A6 SERIES SPECIFICATION



Model	A6-S3	A6-S3 MT	A6-SF3 DT	A6-SF3 DDT
Capacity (L)	57-61	57-61	57-61	57-61
Voltage (V)	220-240	220-240	220-240	220-240
Frequency (Hz)	50	50	50	50
Product Type	Built-in	Built-in	Built-in	Built-in
Thermostat	Yes	Yes	Yes	Yes
Functions	3	3	4	4
Oven Type	Static	Static	Static + Fan	Static + Fan
Oven Control Panel	Metal or Glass Panel	Metal or Glass Panel	Metal or Glass Panel	Metal or Glass Panel
Display / Timer	-	Mechanical Timer	Led Disp. - 6 Buttons Dig.Tim.	Led Disp.-Touch Cont. Dig.Tim.
Inner Door Type	Full Glass (Removable)	Full Glass (Removable)	Full Glass (Removable)	Full Glass (Removable)
Interior Accessory	1x Cr-ni grid, 1x Enamelled Rectangle Tray	1x Cr-ni grid, 1x Enamelled Rectangle Tray	1x Cr-ni grid, 1x Enamelled Rectangle Tray	1x Cr-ni grid, 1x Enamelled Rectangle Tray
Deep Tray	Optional	Optional	Optional	Optional
Siding	Optional	Optional	Optional	Optional
Soft Close	-	-	-	-
3D Cooking	-	-	Yes	Yes
Defrost Function	-	-	Yes	Yes
Turbo Fan	-	-	Yes	Yes
Grill	Optional	Optional	Optional	Optional
Interior Light	Hologen	Hologen	Hologen	Hologen
Side racks	4	4	4	4
Side Shelves	Enameled or Wire Shelf	Enameled or Wire Shelf	Enameled or Wire Shelf	Enameled or Wire Shelf
Telescopic Rail	Optional	Optional	Optional	Optional
Cooling Fan	Yes	Yes	Yes	Yes
Fan Heating	-	-	Optional	Optional
Pyrolytic Cleaning System	-	-	-	-
Harr Technology (S2 or SF2)	Optional	Optional	Optional	Optional
Total Power	2300 W (Harr Technology 2000 W)	2300 W (Harr Technology 2000 W)	2300 W (Harr Technology 2000 W)	2300 W (Harr Technology 2000 W)

Metal panel color options: Black, White, Beige, Stainless steel
Glass panel color options: Black, White, Stone Coal



A6 SERIES FEATURES



A6-M3 DDT

Main Features

Touch control digital timer
 Easy to clean & removable full glass inner door
 Desired functions can be added
 Hologen lighting
 Enamelled side walls

Technical Features

A Energy Class (M2 A+ Energy)
 Oven Capacity: 57-61 L
 H x W x D: 59.5 x 60 x 63.5 cm

Model	A6-M3 DDT
Capacity (L)	57-61
Voltage (V)	220-240
Frequency (Hz)	50
Product Type	Built-in
Thermostat	Yes
Functions	7
Oven Type	Multi
Oven Control Panel	Metal or Glass Panel
Display / Timer	-
Inner Door Type	Full Glass (Removable)
Interior Accessory	1 x Cr-ni grid, 1 x Enamelled Rectangle Tray
Deep Tray	Optional
Siding	Optional
Soft Close	-
3D Cooking	Yes
Defrost Function	Yes
Turbo Fan	Yes
Grill	Yes
Interior Light	Hologen
Side racks	4
Side Shelves	Embedded or Wire Shelf
Telescopic Rail	Optional
Cooling Fan	Yes
Fan Heating	Yes
Pyrolytic Cleaning System	-
Harr Technology (M2)	Optional
Total Power	4100 W (Harr Technology 3800 W)

Metal panel color options: Black, White, Beige, Stainless steel
 Glass panel color options: Black, White, Stone Coal



A6 SERIES GAS FEATURES



A6-GG

Main Features

Oven type: Gas cooking
Easy to clean & removable full glass inner door
Enamelled side walls
Hologen lighting

Technical Features

Oven Capacity: 54-61 L
H x W x D: 59.5 x 60 x 63.5 cm



A6-GG MT

Main Features

Oven type: Gas cooking
Mechanic timer
Easy to clean & removable full glass inner door
Hologen lighting
Enamelled side walls

Technical Features

Oven Capacity: 54-61 L
H x W x D: 59.5 x 60 x 63.5 cm



A6-GGF DT

Main Features

6 Buttons digital timer
Easy to clean & removable full glass inner door
Hologen lighting
Enamelled side walls

Technical Features

Oven Capacity: 54-61 L
H x W x D: 59.5 x 60 x 63.5 cm



A6-GGF DDT

Main Features

Touch control digital timer
Easy to clean & removable full glass inner door
Hologen lighting
Enamelled side walls

Technical Features

Oven Capacity: 54-61 L
H x W x D: 59.5 x 60 x 63.5 cm



A6 SERIES GAS SPECIFICATION



Model	A6-GG	A6-GG MT	A6-GGF DT	A6-GGF DDT
Capacity (L)	54-61	54-61	54-61	54-61
Voltage (V)	220-240	220-240	220-240	220-240
Frequency (Hz)	50	50	50	50
Product Type	Built-in	Built-in	Built-in	Built-in
Thermostat	Optional	Optional	Optional	Optional
Oven Type	Gas+Gas	Gas+Gas	Gas+Gas+Fan	Gas+Gas+Fan
Oven Control Panel	Metal + Glass Panel	Metal + Glass Panel	Metal + Glass Panel	Metal + Glass Panel
Led Disp.- Touch Cont.Dig.Tim.	-	Mechanical Timer	Led Display - 6 But. Dig.Tim.	Led Display - Touch Pad
Inner Door Type	Full Glass (Removable)	Full Glass (Removable)	Full Glass (Removable)	Full Glass (Removable)
Deep Tray	Optional	Optional	Optional	Optional
Interior Accessory	1x Cr-ni grid, 1x Enamelled Rectangle Tray	1x Cr-ni grid, 1x Enamelled Rectangle Tray	1x Cr-ni grid, 1x Enamelled Rectangle Tray	1x Cr-ni grid, 1x Enamelled Rectangle Tray
Siding	I Siding	I Siding	I Siding	I Siding
Soft Close	-	-	-	-
3D Cooking	-	-	-	-
Turbo Fan	-	-	Yes	Yes
Interior Light	Hologen	Hologen	Hologen	Hologen
Shelf Positions	4	4	4	4
Side Shelves	Wire Shelf or Embedded	Wire Shelf or Embedded	Wire Shelf or Embedded	Wire Shelf or Embedded
Telescopic Rail	Optional	Optional	Optional	Optional
Cooling Fan	Yes	Yes	Yes	Yes
Pyrolytic Cleaning System	-	-	-	-
Ignition	Auto or Button	Auto or Button	Auto or Button	Auto or Button
Flame Failure Device (FFD)	Yes	Yes	Yes	Yes

Metal panel color options: Black, White, Beige, Stainless steel
Glass panel color options: Black, White, Stone Coal



B66 SERIES FEATURES



B66-S3

Main Features

3 Functions
Easy to clean & removable full glass inner door
Enamelled side walls
Hologen lighting

Technical Features

A Energy Class (S2 A+ Energy)
Oven Capacity: 50-56 L
H x W x D: 59.5 x 59 x 54.5 cm



B66-S3 MT

Main Features

Mechanic timer
3 Functions
Easy to clean & removable full glass inner door
Hologen lighting
Enamelled side walls

Technical Features

A Energy Class (S2 A+ Energy)
Oven Capacity: 50-56 L
H x W x D: 59.5 x 59 x 54.5 cm



B66-SF3 DT

Main Features

6 Buttons digital timer
4 Functions
Easy to clean & removable full glass inner door
Hologen lighting
Enamelled side walls

Technical Features

A Energy Class (SF2 A+ Energy)
Oven Capacity: 50-56 L
H x W x D: 59.5 x 59 x 59 cm



B66-SF3 DDT

Main Features

Touch control digital timer
4 Functions
Easy to clean & removable full glass inner door
Hologen lighting
Enamelled side walls

Technical Features

A Energy Class (SF2 A+ Energy)
Oven Capacity: 50-56 L
H x W x D: 59.5 x 59 x 59 cm



B66 SERIES SPECIFICATION



Model	B66-S3	B66-S3 MT	B66-SF3 DT	B66-SF3 DDT
Capacity (L)	50-56	50-56	50-56	50-56
Voltage (V)	220-240	220-240	220-240	220-240
Frequency (Hz)	50	50	50	50
Product Type	Built-in	Built-in	Built-in	Built-in
Thermostat	Yes	Yes	Yes	Yes
Functions	3	3	4	4
Oven Type	Static	Static	Static + Fan	Static + Fan
Oven Control Panel	Metal or Glass Panel	Metal or Glass Panel	Metal or Glass Panel	Metal or Glass Panel
Display / Timer	-	Mechanical Timer	Led Disp. - 6 Buttons Dig.Tim.	Led Disp.-Touch Cont. Dig.Tim.
Inner Door Type	Full Glass (Removable)	Full Glass (Removable)	Full Glass (Removable)	Full Glass (Removable)
Interior Accessory	1x Cr-ni grid, 1x Enamelled Rectangle Tray	1x Cr-ni grid, 1x Enamelled Rectangle Tray	1x Cr-ni grid, 1x Enamelled Rectangle Tray	1x Cr-ni grid, 1x Enamelled Rectangle Tray
Deep Tray	Optional	Optional	Optional	Optional
Siding	Optional	Optional	Optional	Optional
Soft Close	-	-	-	-
3D Cooking	-	-	-	-
Defrost Function	-	-	Yes	Yes
Turbo Fan	-	-	Yes	Yes
Grill	Optional	Optional	Optional	Optional
Interior Light	Hologen	Hologen	Hologen	Hologen
Shelf Positions	4	4	4	4
Side Shelves	Embedded or Wire Shelf	Embedded or Wire Shelf	Embedded or Wire Shelf	Embedded or Wire Shelf
Telescopic Rail	Optional	Optional	Optional	Optional
Cooling Fan	Yes	Yes	Yes	Yes
Fan Heating	-	-	-	-
Sabbath Function	Optional	Optional	-	-
Pyrolytic Cleaning System	Optional	Optional	Optional	Optional
Harr Technology (S2 or SF2)	Optional	Optional	Optional	Optional
Total Power	1900 W (Harr Technology 1600 W)	1900 W (Harr Technology 1600 W)	1900 W (Harr Technology 1600 W)	1900 W (Harr Technology 1600 W)

Metal panel color options: Black, White, Beige, Stainless steel
Glass panel color options: Black, White, Stone Coal



B66 SERIES FEATURES



B66-M3 DDT

Main Features

Touch control digital timer
7 Functions
Easy to clean & removable full glass inner door
Hologen lighting
Enamelled side walls

Technical Features

A Energy Class (M2 A+ Energy)
Oven Capacity: 50-56 L
H x W x D: 59.5 x 59 x 59 cm

Model	B66 M3 DDT
Capacity (L)	50-56
Voltage (V)	220-240
Frequency (Hz)	50
Product Type	Built-in
Thermostat	Yes
Functions	7
Oven Type	Multi
Oven Control Panel	Metal or Glass Panel
Display / Timer	Led Disp.-Touch Cont. Dig.Tim.
Inner Door Type	Full Glass (Removable)
Interior Accessory	1x Cr-ni grid, 1x Enamelled Rectangle Tray
Deep Tray	Optional
Siding	Optional
Soft Close	-
3D Cooking	Yes
Defrost Function	Yes
Turbo Fan	Yes
Grill	Grill
Interior Light	Hologen
Shelf Positions	4
Side Shelves	Embedded or Wire Shelf
Telescopic Rail	Optional
Cooling Fan	Yes
Fan Heating	Yes
Sabbath Function	-
Pyrolytic Cleaning System	Optional
Harr Technology (M2)	Optional
Total Power	3700 W (Harr Technology 3400 W)



B66 SERIES FEATURES



B66-S3 AT

Main Features

- Analog timer (Optional Mechanic Timer)
- Metal or Glass panel
- 3 Functions
- Easy to clean & removable full glass inner door
- Hologen lighting
- Enamelled side walls

Technical Features

- A Energy Class (S2 A+ Energy)
- Oven Capacity: 50-56 L
- H x W x D: 59.5 x 59 x 54.5 cm



KUMTEL®



RUSTIC DESIGN
COMES WITH BEIGE & BLACK OPTIONS



SIDING OPTIONS



Kumtel proudly presents its new built-in oven series that will make a difference in your kitchen with its elegance and design.

Rustic Siding



U Siding



I Siding



O Siding



KUMTEL®

Hobs



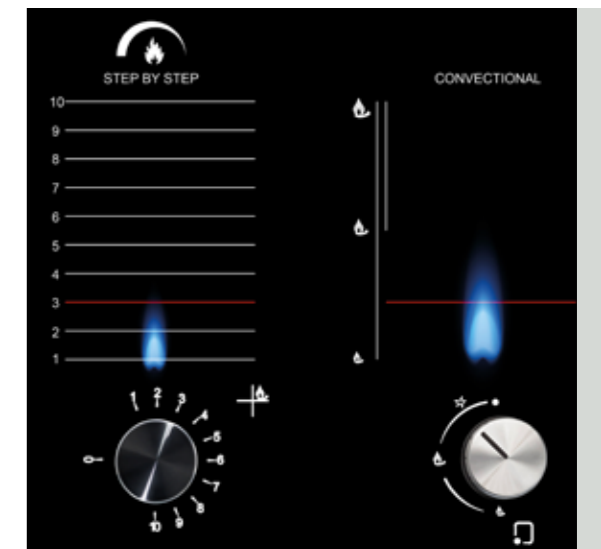
KUMTEL®

BUILT-IN & COOKTOP SERIES



Step by step (10 position flame adjust)

Our new Kumtel Gas hobs with a step-flame feature enable you to select and control the power level and ensures you get perfectly repeatable results every time you cook. Elegant knobs with 10 power level indicators, once you get the perfect taste you can always catch the same flavor, just follow the same heat and flame. Plus, the illuminated buttons let you know what's going on, even from distances. With all the control at your fingertips, let's turn your cuisine time into art.





Cast Iron Pan Support

Favorite-pot-fans don't want their precious dinner spill, because of the pot rocking or tilting on the hob. That's where Cast Iron Pan Supports can help. They offer maximum stability to all shapes and sizes of pans. Plus, they add some professional style to your hob.



Dishwasher Safe Grids

The round pan supports that we used in our hob and free-standing ovens can be cleaned easily with their dishwasher-safe feature



Gas Safety System

If the wind blows your gas fire out or your pan boils too much and spilled, while you're under the spell of a gripping storyline, the gas safety feature will automatically turn your gas supply off, keeping you and your place safe. Even you aren't there.



Automatic Ignition

Total control of the ignition, convenient through a single-handed operation of turning the knob to automatically ignite the hob.

Hob

Here comes Kumtel glass surface cooker, easy to clean, scratch-resistant, gorgeous, and beautifully reflective.



Tribble Burner

The Kumtel High Power Tribble Burner provides you an extremely intense flame with two separate flame rings. Tribble burner allows heat to distribute more evenly to the bottom of the pan and provides cooking efficiency and time advantage.



ELECTRIC BUILT-IN FEATURES

V3-02P

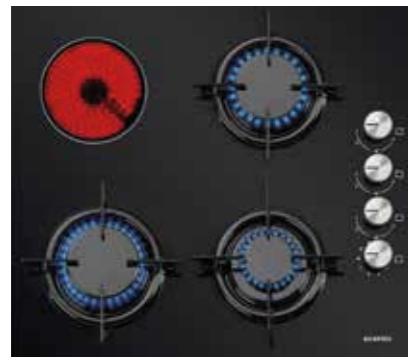


Main Features

Front Knob Control
9 Cooking Levels Per Zone
Front: 140 mm / 1200 W
Rear: 180 mm / 1800 W
On-off indicator light

Technical Features

Total Power: 3000 W
Product Dimensions: 29 x 52 cm



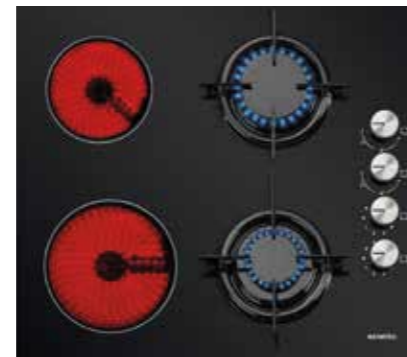
V6-31 PYF

Main Features

Side Knob Control
Gas Safety
Auto Ignition
Left Rear: 140 mm / 1200 W
Right Rear: 1,65 KW
Left Front: 2,20 KW
Right Front: 1,10 KW

Technical Features

Total Power: 1200 W
Product Dimensions: 52 x 59 cm



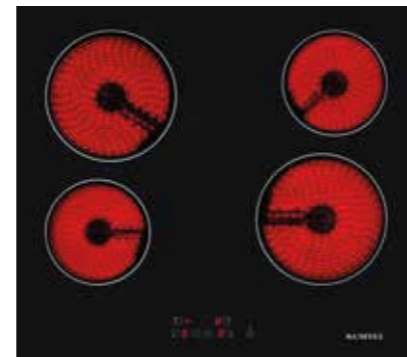
V6-22 PYF

Main Features

Side Knob Control
Gas Safety
Auto Ignition
Left Rear: 140 mm / 1200 W
Right Rear: 1,65 KW
Left Front: 180 mm / 1800 W
Right Front: 1,10 KW

Technical Features

Total Power: 3000 W
Product Dimensions: 52 x 59 cm



V6-04T

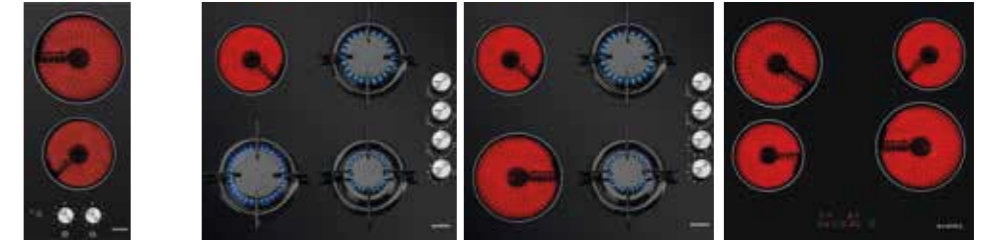
Main Features

Touch Digital Control
Left Front: 140 mm / 1200 W
Right Front: 180 mm / 1800 W
Left Rear: 180 mm / 1800 W
Right Rear: 140 mm / 1200 W

Technical Features

Total Power: 6000 W
Product Dimensions: 52 x 59 cm

ELECTRIC BUILT-IN SPECIFICATION



Model	V3-02 P	V6-31 PYF	V6-22 PYF	V6-04 T
Product Type	Built-in	Built-in	Built-in	Built-in
Location of Control Panel	Front	Side	Side	Front
Hobs Width (Cm)	30	60	60	60
Flame Failure Device (FFD)	-	Yes	Yes	-
Voltage	220-240	220-240	220-240	380
Frequency (Hz)	50 - 60	50 - 60	50 - 60	50 - 60
Ignition	-	Yes	Yes	-
Pan Support Type	-	Cast Iron - Enamelled	Cast Iron - Enamelled	-
Gas Type	-	LPG or NG	LPG or NG	-
Cooking Level	9	9 (Vitroceramic)	9 (Vitroceramic)	9
Hob Burner Configuration	2 Vitroceramic	1 Vitroceramic + 3 Gas	2 Vitroceramic + 2 Gas	4 Vitroceramic
Depth (Mm)	520	520	520	520
Width (Mm)	290	590	590	590
Height (Mm)	90	105	105	90
Weight (Kg)	4,5	9	9	8



GAS BUILT-IN FEATURES

C3-10 BTF



Main Features

Tempered Glass Surface
Tribble Burner
Gas Safety System
Auto Ignition

Technical Features

Tribble Burner: 1 x 3,60 KW
Product Dimensions: 29 x 52 cm

C3-20 BF



Main Features

Tempered Glass Surface
Gas Safety System
Auto Ignition

Technical Features

Rapid Burner: 1 x 2,20 KW
Auxiliary Burner: 1 x 1,10 KW
Product Dimensions: 29 x 52 cm



C6-40 BF (SIDE CONTROL)

Main Features

Tempered Glass Surface
Gas Safety System
Auto Ignition

Technical Features

Rapid Burner: 1 x 2,20 KW
Semi Rapid Burner: 2 x 1,65 KW
Auxiliary Burner: 1 x 1,10 KW
Product Dimensions: 52 x 60 cm



C6-40 BTF (SIDE CONTROL)

Main Features

Tempered Glass Surface
Tribble Burner
Gas Safety System
Auto Ignition

Technical Features

Tribble Burner: 1 x 3,60 KW
Rapid Burner: 1 x 2,20 KW
Semi Rapid Burner: 2 x 1,65 KW
Auxiliary Burner: 1 x 1,10 KW
Product Dimensions: 52 x 60 cm



C6-40 BTF Platinum (SIDE CONTROL)

Main Features

Tempered Glass Surface
Tribble Burner
Cast Iron Pan Support
Step By Step 10 Leves Gas Adjustment
Gas Safety System
Auto Ignition

Technical Features

Tribble Burner: 1 x 3,60 KW
Rapid Burner: 1 x 2,20 KW
Semi Rapid Burner: 2 x 1,65 KW
*Auxiliary Burner: 1 x 1,10 KW
*Product Dimensions: 52 x 60 cm



C6-40 BF (FRONT CONTROL)

Main Features

Tempered Glass Surface
Gas Safety System
Auto Ignition

Technical Features

Rapid Burner: 1 x 2,20 KW
Semi Rapid Burner: 2 x 1,65 KW
Auxiliary Burner: 1 x 1,10 KW
Product Dimensions: 60 x 52 cm



C7-50 BTF

Main Features

Tempered Glass Surface
Tribble Burner
Gas Safety System
Auto Ignition

Technical Features

Tribble Burner: 1 x 3,60 KW
Rapid Burner: 1 x 2,20 KW
Semi Rapid Burner: 2 x 1,65 KW
Auxiliary Burner: 1 x 1,10 KW
Product Dimensions: 52 x 75 cm



C9-50 BTF (FRONT CONTROL)

Main Features

Tempered Glass Surface
Tribble Burner
Gas Safety System
Auto Ignition

Technical Features

Tribble Burner: 1 x 3,60 KW
Rapid Burner: 1 x 2,20 KW
Semi Rapid Burner: 2 x 1,65 KW
Auxiliary Burner: 1 x 1,10 KW
Product Dimensions: 52 x 90 cm



C9-50 BTF (SIDE CONTROL)

Main Features

Tempered Glass Surface
Tribble Burner
Gas Safety System
Auto Ignition

Technical Features

Tribble Burner: 1 x 3,60 KW
Rapid Burner: 1 x 2,20 KW
Semi Rapid Burner: 2 x 1,65 KW
Auxiliary Burner: 1 x 1,10 KW
Product Dimensions: 52 x 90 cm





KO-410 BF

Main Features

Metal Body
Gas Safety System
Auto Ignition

Technical Features

Rapid Burner: 1 x 2,20 KW
Semi Rapid Burner: 2 x 1,65 KW
Auxiliary Burner: 1 x 1,10 KW
Product Dimensions: 50 x 58 cm



KO-412 BF

Main Features

Metal Body
Gas Safety System
3 Gas + 1 Hotplate
Auto Ignition

Technical Features

Rapid Burner: 1 x 2,20 KW
Semi Rapid Burner: 1 x 1,65 KW
Auxiliary Burner: 1 x 1,10 KW
Electric Hotplate: 1 x 1000 W
Product Dimensions: 50 x 58 cm



M6-40 BF Violet

Main Features

Metal Body
Gas Safety System
Auto Ignition

Technical Features

Rapid Burner: 1 x 2,20 KW
Semi Rapid Burner: 2 x 1,65 KW
Auxiliary Burner: 1 x 1,10 KW
Product Dimensions: 52 x 58 cm



KO-410 BF EKOL

Main Features

Front Knob Control
Metal Body
Gas Safety System
Auto Ignition

Technical Features

Rapid Burner: 1 x 2,20 KW
Semi Rapid Burner: 2 x 1,65 KW
Auxiliary Burner: 1 x 1,10 KW
Product Dimensions: 52 x 59 cm



M7-50 BF Flat

Main Features

Front Knob Control
Metal Body
Tribble Burner
Gas Safety System
Auto Ignition

Technical Features

Tribble Burner: 1 x 3,60 KW
Rapid Burner: 1 x 2,20 KW
Semi Rapid Burner: 2 x 1,65 KW
Auxiliary Burner: 1 x 1,10 KW
Product Dimensions: 50 x 68,5 cm



M6-31 BF Violet

Main Features

Metal Body
3 Gas + 1 Hotplate
Gas Safety System
Auto Ignition

Technical Features

Rapid Burner: 1 x 2,20 KW
Semi Rapid Burner: 1 x 1,65 KW
Auxiliary Burner: 1 x 1,10 KW
Electric Hotplate: 1 x 1000 W
Product Dimensions: 52 x 58 cm



M6-22 BF Violet

Main Features

Metal Body
2 Gas + 2 Hotplate
Gas Safety System
Auto Ignition

Technical Features

Rapid Burner: 1 x 2,20 KW
Semi Rapid Burner: 1 x 1,65 KW
Electric Hotplate:
1 x 1000 W , 1 x 1500 W
Product Dimensions: 52 x 58 cm



M6-04

Main Features

Metal Body
4 Hotplate

Technical Features

Electric Hotplate: 2 x 1000 W
Electric Hotplate: 2 x 1500 W
Product Dimensions: 50 x 58 cm



KUMTEL



**M6-40 BF Nil
(Rectangle)**

Main Features
Front Knob Control
Metal Body
Gas Safety System
Auto Ignition

Technical Features
Rapid Burner: 1 x 2,20 KW
Semi Rapid Burner: 2 x 1,65 KW
Auxiliary Burner: 1 x 1,10 KW
Product Dimensions: 52 x 59 cm



**M6-40 BF Nil
(Round)**

Main Features
Front Knob Control
Metal Body
Gas Safety System
Auto Ignition

Technical Features
Rapid Burner: 1 x 2,20 KW
Semi Rapid Burner: 2 x 1,65 KW
Auxiliary Burner: 1 x 1,10 KW
Product Dimensions: 52 x 59 cm



M6-31 BF Nil

Main Features
Front Knob Control
Metal Body
Gas Safety System
Auto Ignition

Technical Features
Rapid Burner: 1 x 2,20 KW
Semi Rapid Burner: 1 x 1,65 KW
Auxiliary Burner: 1 x 1,10 KW
Electric Hotplate: 1 x 1000 W
Product Dimensions: 52 x 59 cm



M6-22 BF Nil

Main Features
Front Knob Control
Metal Body
Gas Safety System
Auto Ignition

Technical Features
Rapid Burner: 1 x 2,20 KW
Semi Rapid Burner: 1 x 1,65 KW
Electric Hotplate: 2 x 1000 W
Product Dimensions: 52 x 59 cm



M6-04 Nil

Main Features
Front Knob Control
Metal Body

Technical Features
Electric Hotplate: 4 x 1000 W
Product Dimensions: 52 x 59 cm



BUILT-IN HOB SPECIFICATION



Model	C3-10 BTF	C3-20 BF	C6-40 BF	C6-40 BF
Product Type	Built-in	Built-in	Built-in	Built-in
Location of Control Panel	Front	Front	Front	Side
Hobs Width (Cm)	30	30	60	60
Flame Failure Device (FFD)	Yes	Yes	Yes	Yes
Voltage (v)	220-240	220-240	220-240	220-240
Frequency (Hz)	50 - 60	50 - 60	50 - 60	50 - 60
Ignition	Auto	Auto	Auto	Auto
Pan Support Type	Cast iron - Enamelled	Cast iron - Enamelled	Cast iron - Enamelled	Cast iron - Enamelled
Gas Type	LPG or NG	LPG or NG	LPG or NG	LPG or NG
Cooking Level	-	-	-	-
Hob Burner Configuration	1 Tribble	2 Gas	4 Gas	4 Gas
Depth (Mm)	520	520	520	520
Width (Mm)	290	290	600	600
Height (Mm)	105	105	105	105
Weight (Kg)	5,5	5,5	10	10



Model	C6-40 BTF	C6-40 BTF	C7-50 BTF	C9-50 BTF	C9-50 BTF
Product Type	Built-in	Built-in	Built-in	Built-in	Built-in
Location of Control Panel	Side	Side	Front	Front	Side
Hobs Width (Cm)	60	60	75	90	90
Flame Failure Device (FFD)	Yes	Yes	Yes	Yes	Yes
Voltage (v)	220-240	220-240	220-240	220-240	220-240
Frequency (Hz)	50-60	50-60	50-60	50-60	50-60
Ignition	Auto	Auto	Auto	Auto	Auto
Pan Support Type	Cast iron - Enamelled	Cast iron - Enamelled	Cast iron - Enamelled	Cast iron - Enamelled	Cast iron - Enamelled
Gas Type	LPG or NG	LPG or NG	LPG or NG	LPG or NG	LPG or NG
Cooking Level	-	10	-	-	-
Hob Burner Configuration	3 Gas 1 Tribble	3 Gas 1 Tribble	4 Gas 1 Tribble	4 Gas 1 Tribble	4 Gas 1 Tribble
Depth (Mm)	520	520	520	520	520
Width (Mm)	590	590	750	900	900
Height (Mm)	105	105	105	105	105
Weight (Kg)	11	12	14	17	17



Model	KO-410 BF	KO-412 BF	M6-40 BF Violet	M6-31 BF Violet	M6-22 BF Violet	M6-04
Product Type	Built-in	Built-in	Built-in	Built-in	Built-in	Built-in
Location of Control Panel	Side	Side	Side	Side	Side	Side
Hobs Width (cm)	60	60	60	60	60	60
Flame Failure Device (FFD)	Yes	Yes	Yes	Yes	Yes	-
Voltage (v)	220-240	220-240	220-240	220-240	220-240	220-240
Frequency (Hz)	50-60	50-60	50-60	50-60	50-60	50-60
Ignition	Auto	Auto	Auto	Auto	Auto	-
Pan Support Type	Cast iron - Enamelled	Cast iron - Enamelled	Cast iron - Enamelled	Cast iron - Enamelled	Cast iron - Enamelled	-
Gas Type	LPG or NG	LPG or NG	LPG or NG	LPG or NG	LPG or NG	-
Cooking Level	-	3 Level for Hotplate	-	3 Level for Hotplate	3 Level for Hotplate	3 Level for Hotplate
Hob Burner Configuration	4 Gas	3 Gas 1 Electric	4 Gas	3 Gas 1 Electric	2 Gas 2 Electric	4 Electric
Depth (Mm)	500	500	520	520	520	500
Width (Mm)	580	580	580	580	580	580
Height (Mm)	100	100	100	100	100	100
Weight (Kg)	6,4	7,5	6,4	7,5	8	8



Model	KO-410 BF Ekol	M6-40 BF Nil	M6-31 BF Nil	M6-22 BF Nil	M6-04 Nil	M7-50 BF Flat
Product Type	Built-in	Built-in	Built-in	Built-in	Built-in	Built-in
Location of Control Panel	Front	Front	Front	Front	Front	Front
Hobs Width (Cm)	60	60	60	60	60	75
Flame Failure Device (FFD)	Yes	Yes	Yes	Yes	-	Yes
Voltage (v)	220-240	220-240	220-240	220-240	220-240	220-240
Frequency (Hz)	50-60	50-60	50-60	50-60	50-60	50-60
Ignition	Auto	Auto	Auto	Auto	-	Auto
Pan Support Type	Cast iron - Enamelled	Cast iron - Enamelled (Rectangle of Round)	Cast iron - Enamelled (Rectangle of Round)	Cast iron - Enamelled (Rectangle of Round)	-	Cast iron - Enamelled
Gas Type	LPG or NG	LPG or NG	LPG or NG	LPG or NG	-	LPG or NG
Cooking Level	-	-	3 Level for Hotplate	3 Level for Hotplates	3 Level for Hotplates	-
Hob Burner Configuration	4 Gas	4 Gas	3 Gas + 1 Electric	2 Gas + 2 Electric	4 Electric	4 Gas + 1 Tribble
Depth (Mm)	520	520	520	520	590	500
Width (Mm)	590	590	590	590	590	685
Height (Mm)	105	100	100	100	100	80
Weight (Kg)	10	10	10	10	10	9,5

COUNTERTOP HOBS FEATURES



C3-10 TF

Main Features

Tempered Glass Surface
Tribble Burner
Gas Safety System
Auto Ignition

Technical Features

Tribble Burner: 1 x 3,60 KW
Product Dimensions:
29 x 52 cm



C3-20 F

Main Features

Tempered Glass Surface
Gas Safety System
Auto Ignition

Technical Features

Rapid Burner: 1 x 2,20 KW
Auxiliary Burner: 1 x 1,10 KW
Product Dimensions:
29 x 52 cm



C6-40 F

Main Features

Tempered Glass Surface
Gas Safety System
Auto Ignition

Technical Features

Rapid Burner: 1 x 2,20 KW
Semi Rapid Burner: 2 x 1,65 KW
Auxiliary Burner: 1 x 1,10 KW
Product Dimensions:
52 x 60 cm



V3-02 P

Main Features

Front Knob Control
9 Cooking Levels Per Zone
Front: 140 mm / 1200 W
Rear: 180 mm / 1800 W
On-off indicator light

Technical Features

Total Power: 3000 W
Product Dimensions:
29 x 52 cm



204 PUNTO

Main Features

Metal Body
4 Gas Burner

Technical Features

Rapid Burner: 1 x 2,20 KW
Semi Rapid Burner: 2 x 1,65 KW
Auxiliary Burner: 1 x 1,10 KW
Product Dimensions:
50 x 52 cm



KO-420 F

Main Features

Metal Body
Gas Safety System
Auto Ignition

Technical Features

Rapid Burner: 1 x 2,20 KW
Semi Rapid Burner: 2 x 1,65 KW
Auxiliary Burner: 1 x 1,10 KW
Product Dimensions:
50 x 58 cm



KO-102

Main Features

Metal Body
2 Gas Burner

Technical Features

Rapid Burner: 1 x 2,20 KW
Semi Rapid Burner: 1 x 1,65 KW
Product Dimensions:
32,5 x 60,5 cm
Painted or Enameled Options



KO-123

Main Features

Metal Body
3 Gas Burner

Technical Features

Rapid Burner: 1 x 2,20 KW
Semi Rapid Burner: 1 x 1,65 KW
Auxiliary Burner: 1 x 1,10 KW
Product Dimensions:
32,5 x 60,5 cm
Painted or Enameled Options



KO-104

Main Features

Metal Body
4 Gas Burner

Technical Features

Rapid Burner: 1 x 2,20 KW
Semi Rapid Burner: 2 x 1,65 KW
Auxiliary Burner: 1 x 1,10 KW
Product Dimensions:
50 x 52 cm
Painted or Enameled Options



LX-7011

Main Features

Hotplate: 1500 W
Thermosat control
On-off indicator light

Technical Features

Product Dimensions:
26 x 28 cm



LX-7115

Main Features

Hotplate: 1500 W
Thermosat control
On-off indicator light

Technical Features

Product Dimensions:
26 x 28 cm



LX-7021

Main Features

Big Hotplate: 1500 W
Small Hotplate: 1000 W
Thermosat control
On-off indicator light

Technical Features

Total Power: 2500 W
Product Dimensions:
28 x 50 cm

COUNTERTOP HOBS

FEATURES



Model	C3-10 TF	C3-20 BF	C6-40 F	KO-420 F	KO-102	KO-123
Product Type	Counter Top	Counter Top	Counter Top	Counter Top	Counter Top	Counter Top
Location of Control Panel	Front	Front	Side	Side	Front	Front
Hobs Width (Cm)	30	30	60	60	30	30
Flame Failure Device (FFD)	Yes	Yes	Yes	Yes	-	-
Voltage (v)	220-240	220-240	220-240	220-240	-	-
Frequency (Hz)	50-60	50-60	50-60	50-60	-	-
Ignition	Auto	Auto	Auto	Auto	-	-
Pan Support Type	Cast iron - Enamelled	Cast iron - Enamelled	Cast iron - Enamelled	Cast iron - Enamelled	Painted - Enamelled	Painted - Enamelled
Gas Type	LPG or NG (Pool)	LPG or NG (Pool)	LPG or NG (Pool)	LPG or NG (Pipe)	LPG or NG (Pipe)	LPG or NG (Pipe)
Cooking Level	-	-	-	-	-	-
Hob Burner Configuration	1 Tribble	2 Gas	4 Gas	4 Gas	2 Gas	3 Gas
Depth (Mm)	520	520	520	500	605	605
Width (Mm)	290	290	600	580	325	325
Height (Mm)	110	110	110	100	105	105
Weight (Kg)	5,5	5,5	10	7	4	4



Model	KO-104	204 PUNTO	V3-02 P	LX-7115	LX-7011	LX-7021
Product Type	Counter Top	Counter Top	Counter Top	Counter Top	Counter Top	Counter Top
Location of Control Panel	Front	Front	Front	Front	Front	Front
Hobs Width (Cm)	60	60	30	-	-	-
Flame Failure Device (FFD)	-	-	-	-	-	-
Voltage (v)	-	220-240	220-240	220-240	220-240	220-240
Frequency (Hz)	50-60	50-60	50-60	50-60	50-60	50-60
Ignition	-	-	-	-	-	-
Pan Support Type	Painted - Enamelled	Painted - Enamelled	-	-	-	-
Gas Type	LPG or NG (Pipe)	LPG or NG (Pipe)	-	-	-	-
Cooking Level	-	-	9	-	-	-
Hob Burner Configuration	4 Gas	4 Gas	2 Vitroceramic	1 Electric	1 Electric	2 Electric
Depth (Mm)	520	520	520	280	280	500
Width (Mm)	500	500	290	260	260	280
Height (Mm)	110	130	90	80	80	95
Weight (Kg)	6	6	4,5	2,5	2,5	4



KUMTEL®

Range Hoods



RANGE HOODS



Remote
Controller

Dishwasher Safe
Aluminium Filters





Carbon Filters



RANGE HOODS

FEATURES



DK6-731

Main Features

Intensive ventilation capacity:
300 m3/h
3 Power Level
Button Control
Led Lighting
Dishwasher Safe Filters
(It has double engine option)
Color Options:
Black, White, Grey, Stainless Steel

Technical Features
600 x 480 x 150 mm



DK6-734

Main Features

Intensive ventilation capacity:
300 m3/h
3 Power Level
Rocker Switch Control
Led Lighting
Dishwasher Safe Filters
(It has double engine option)
Color Options:
Black, White, Grey, Stainless Steel

Technical Features
600 x 480 x 150 mm



DK6-732

Main Features

Intensive ventilation capacity:
300 m3/h
3 Power Level
Knob Control
Led Lighting
Dishwasher Safe Filters
(It has double engine option)
Color Options:
Black, White, Grey, Stainless Steel

Technical Features
600 x 480 x 150 mm



DK6-735

Main Features

Intensive ventilation capacity:
300 m3/h
3 Power Level
Slider Button
Led Lighting
Dishwasher Safe Filters (It has
double engine option)
Color Options:
Black, White, Grey, Stainless Steel

Technical Features
600 x 480 x 150 mm



DK6-733

Main Features

Intensive ventilation capacity:
300 m3/h
3 Power Level
Double Knob Control
Led Lighting
Dishwasher Safe Filters
(It has double engine option)
Color Options:
Black, White, Grey, Stainless Steel

Technical Features
600 x 480 x 150 mm



DK6-736

Main Features

Intensive ventilation capacity:
300 m3/h
3 Power Level
Touch Pad Control
Led Lighting
Dishwasher Safe Filters (It has
double engine option)
Color Options:
Black, White, Grey, Stainless Steel

Technical Features
600 x 480 x 150 mm



DS6-905 A

Main Features

Intensive ventilation capacity:
300 m3/h
2 Power Stage
Rocker Switch Control
Led Lighting
Dishwasher Safe Filters
Color Options:
Black, White, Grey, Stainless Steel

Technical Features
600 x 495 x 170 mm



DS6-905 B

Main Features

Intensive ventilation capacity:
450 m3/h
3 Power Stage
Rocker Switch Control
Led Lighting
Dishwasher Safe Filters
Color Options:
Black, White, Grey, Stainless Steel

Technical Features
600 x 495 x 170 mm



DP6

Main Features

Intensive ventilation capacity:
450 m3/h
3 Power Level
Button Control
Led Lighting
Dishwasher Safe Filters
Color Options:
Black, White, Stainless Steel

Technical Features
600 x 450 x 200 mm



DP6-RB

Main Features

Intensive ventilation capacity:
450 m3/h
3 Power Level
Button Control
Led Lighting
Dishwasher Safe Filters
Color Options:
Black, Beige

Technical Features
600 x 450 x 200 mm

RANGE HOODS SPECIFICATION



Model	DK6-905 (Only Engine)	DK6-905 (Double Engine)	DK6-732 (Only Engine)	DK6-732 (Double Engine)	DK6-733 (Only Engine)	DK6-733 (Double Engine)
Product Type	Built-in Hood(Classic)	Built-in Hood(Classic)	Built-in Hood(Classic)	Built-in Hood(Classic)	Built-in Hood(Classic)	Built-in Hood(Classic)
Voltage (v)	220-240	220-240	220-240	220-240	220-240	220-240
Frequency (Hz)	50	50	50	50	50	50
Intensive Ventilation Capacity	300 m ³ /h	450 m ³ /h	300 m ³ /h	450 m ³ /h	300 m ³ /h	450 m ³ /h
Glass	Optional	Optional	Optional	Optional	Optional	Optional
Sound Power dB (A)	66	69	66	69	69	69
Hood Width (Cm)	60	60	60	60	60	60
Control Type	Button	Button	Knob	Knob	Double Knob	Double Knob
Number of Power Levels	3	3	3	3	3	3
Type of Lighting	LED	LED	LED	LED	LED	LED
Remote Controller for Hood	-	-	-	-	-	-
Motor Power	140W	2x90W	140W	2x90W	140W	2x90W
Filter Material	Aluminium	Aluminium	Aluminium	Aluminium	Aluminium	Aluminium
Depth (Mm)	480	480	480	480	480	480
Width (Mm)	600 or 900	600 or 900	600 or 900	600 or 900	600 or 900	600 or 900
Height (Mm)	150	150	150	150	150	150

Color Options: Black, White, Grey, Stainless Steel
If the 900 mm options is selected, the product name will start with DK9.



Model	DK6-734 (Only Engine)	DK6-734 (Double Engine)	DK6-735 (Only Engine)	DK6-735 (Double Engine)	DK6-736 (Only Engine)	DK6-736 (Double Engine)
Product Type	Built-in Hood(Classic)	Built-in Hood(Classic)	Built-in Hood(Classic)	Built-in Hood(Classic)	Built-in Hood(Classic)	Built-in Hood(Classic)
Voltage (v)	220-240	220-240	220-240	220-240	220-240	220-240
Frequency (Hz)	50	50	50	50	50	50
Intensive Ventilation Capacity	300 m ³ /h	450 m ³ /h	300 m ³ /h	450 m ³ /h	300 m ³ /h	450 m ³ /h
Glass	Optional	Optional	Optional	Optional	Optional	Optional
Sound Power dB (A)	66	69	66	69	66	69
Hood Width (Cm)	60	60	60	60	60	60
Control Type	Rocker Switch	Rocker Switch	Slider Button	Slider Button	Touch Pad	Touch Pad
Number of Power Levels	3	3	3	3	3	3
Type of Lighting	LED	LED	LED	LED	LED	LED
Remote Controller for Hood	-	-	-	-	-	-
Motor Power	140W	2x90W	140W	2x90W	140W	2x90W
Filter Material	Aluminium	Aluminium	Aluminium	Aluminium	Aluminium	Aluminium
Depth (Mm)	480	480	480	480	480	480
Width (Mm)	600 or 900	600 or 900	600 or 900	600 or 900	600 or 900	600 or 900
Height (Mm)	150	150	150	150	150	150

Color Options: Black, White, Grey, Stainless Steel
If the 900 mm options is selected, the product name will start with DK9.



Model	DS6-905 A	DS6-905 B	DP6	DP6-RS
Product Type	Built-in Hood(Sliding)	Built-in Hood(Sliding)	Built-in Hood(Pyramide)	Built-in Hood(Pyramide)
Voltage (V)	220-240	220-240	220-240	220-240
Frequency (Hz)	50	50	50	50
Glass Q'ty	-	-	-	-
Sound Power dB (A)	67	69	69	69
Hood Width (Cm)	60	60	60	60
Control Type	Button	Button	Button	Button
Number of Power Levels	2	3	3	3
Type of Lighting	Led	Led	Led	Led
Remote Controller for Hood	-	-	-	-
Motor Power	90 W	140 W	140 W	140 W
Filter Material	Aluminium	Aluminium	Aluminium	Aluminium
Depth (Mm)	495	495	450	450
Width (Mm)	600	600	600	600
Height (Mm)	170	170	200	200

Color Options: Black, Beige, Grey, Stainless Steel



RANGE HOODS FEATURES



DA6-830

Main Features

Intensive ventilation capacity: 650 m3/h
2 Glasses
3 Power Level
Knob Control
Led Lighting
Dishwasher Safe Filters

Technical Features

600 x 460 x 365 mm



DA6-832

Main Features

Intensive ventilation capacity: 650 m3/h
2 Glasses
3 Power Level
Button Control
Led Lighting
Dishwasher Safe Filters

Technical Features

600 x 460 x 365 mm



DA6-833

Main Features

Intensive ventilation capacity: 250 m3/h
1 Glass
1 Power Level
Rocker Switch Control
Led Lighting
Dishwasher Safe Filters

Technical Features

570 x 400 x 365 mm



DA6-855

Main Features

Intensive ventilation capacity: 650 m3/h
3 Glasses
3 Power Level
Touch Control
Remote controller for Hood
Led Lighting
Dishwasher Safe Filters

Technical Features

600 x 480 x 360 mm



DA6-865

Main Features

Intensive ventilation capacity: 650 m3/h
3 Glasses
3 Power Level
Touch Control
Remote controller for Hood
Led Lighting
Dishwasher Safe Filters

Technical Features

600 x 510 x 360 mm



**DA6-875
(PLATINUM)**

Main Features

Intensive ventilation capacity: 800 m3/h
3 Glasses
5 Power Level
Touch Control
Remote controller for Hood
Led Lighting
Dishwasher Safe Filters

Technical Features

600 x 510 x 265 mm



DA6-835

Main Features

Intensive ventilation capacity: 650 m3/h
2 Glasses
3 Power Level
Touch Control
Remote controller for Hood
Led Lighting
Dishwasher Safe Filters

Technical Features

600 x 460 x 365 mm



DA6-875 PLATINIUM RANGE HOODS



DA6-875



Motor Type	5 Levels Motor
Flow (Suction Power)	800 m3/h
With / Without Chimney Use	Appropriate
Control Type	Touch Dig. + Remote Cont.
Color Options	White / Black
Aluminum Filter	Washable 5 Layers Aluminium Filter
Noise Level	61 dB
Diameter of Chimney	120 mm
Width	60 cm
Motor Power	212 W
Lighting	Led Lamp
Packing	Box + Sperator

RANGE HOODS SPECIFICATION



Model	DA6-830	DA6-832	DA6-833	DA6-835	DA6-855	DA6-865	DA6-875
Product Type	Built-in Hood	Built-in Hood	Built-in Hood	Built-in Hood	Built-in Hood	Built-in Hood	Built-in Hood
Voltage (v)	220-240	220-240	220-240	220-240	220-240	220-240	220-240
Frequency (Hz)	50	50	50	50	50	50	50
Glass Q'ty	2	2	1	2	3	3	3
Sound Power dB (A)	63	63	63	63	63	63	61
Hood Width (Cm)	60	60	60	60	60	60	60
Control Type	Knob	Button	Rocker Switch	Touch	Touch	Touch	Touch
Number of Power Levels	3	3	1	3	3	3	3
Type of Lighting	Led	Led	Led	Led	Led	Led	Led
Remote Controller for Hood	-	-	-	Yes	Yes	Yes	Yes
Motor Power	140 W	140 W	100 W	140 W	140 W	140 W	212 W
Filter Material	Aluminium	Aluminium	Aluminium	Aluminium	Aluminium	Aluminium	Aluminium
Depth (Mm)	460	460	400	460	480	510	510
Width (Mm)	600	600	570	600	600	600	600
Height (Mm)	365	365	365	365	365	260	260

Color Options: Black, White, Stone Coal



Model	DA9-830	DA9-832	DA9-833	DA9-835	DA9-855	DA9-865	DA9-875
Product Type	Built-in Hood	Built-in Hood	Built-in Hood	Built-in Hood	Built-in Hood	Built-in Hood	Built-in Hood
Voltage (v)	220-240	220-240	220-240	220-240	220-240	220-240	220-240
Frequency (Hz)	50	50	50	50	50	50	50
Glass Q'ty	2	2	1	2	3	3	3
Sound Power dB (A)	63	63	63	63	63	63	61
Hood Width (Cm)	60	60	60	60	60	60	60
Control Type	Knob	Button	Rocker Switch	Touch	Touch	Touch	Touch
Number of Power Levels	3	3	1	3	3	3	3
Type of Lighting	Led	Led	Led	Led	Led	Led	Led
Remote Controller for Hood	-	-	-	Yes	Yes	Yes	Yes
Motor Power	140 W	140 W	100 W	140 W	140 W	140 W	212 W
Filter Material	Aluminium	Aluminium	Aluminium	Aluminium	Aluminium	Aluminium	Aluminium
Depth (Mm)	460	460	400	460	480	510	510
Width (Mm)	900	900	870	900	900	900	900
Height (Mm)	365	365	365	365	365	260	260

Color Options: Black, White, Stone Coal



Model	DA7-830	DA7-832	DA7-833	DA7-835	DA7-855	DA7-865	DA7-875
Product Type	Built-in Hood	Built-in Hood	Built-in Hood	Built-in Hood	Built-in Hood	Built-in Hood	Built-in Hood
Voltage (v)	220-240	220-240	220-240	220-240	220-240	220-240	220-240
Frequency (Hz)	50	50	50	50	50	50	50
Glass Q'ty	2	2	1	2	3	3	3
Sound Power dB (A)	63	63	63	63	63	63	61
Hood Width (Cm)	60	60	60	60	60	60	60
Control Type	Knob	Button	Rocker Switch	Touch	Touch	Touch	Touch
Number of Power Levels	3	3	1	3	3	3	3
Type of Lighting	Led	Led	Led	Led	Led	Led	Led
Remote Controller for Hood	-	-	-	Yes	Yes	Yes	Yes
Motor Power	140 W	140 W	100 W	140 W	140 W	140 W	212 W
Filter Material	Aluminium	Aluminium	Aluminium	Aluminium	Aluminium	Aluminium	Aluminium
Depth (Mm)	460	460	400	460	480	510	510
Width (Mm)	700	700	670	700	700	700	700
Height (Mm)	365	365	365	365	365	260	260

Color Options: Black, White, Stone Coal



KUMTEL®

FreeStanding Cookers

A free-standing cooker with a gas hob and oven, set in a kitchen. The cooker is white with a stainless steel front panel. It has a gas hob with four burners on top and an oven below. The oven has a glass door and a control panel with several knobs. The cooker is set in a kitchen with light-colored cabinets and a tiled floor.

FREESTANDING COOKERS



Telescopic Rail

We have 2 different rail systems, extendable and fully extendable, and thanks to the telescopic rail system the tray can be easily shelved in the oven. Telescopic rails facilitate cooking control during cooking.





Wire Shelf System

Side wire shelves in our free-standing ovens can be easily removed and it's suitable for washing with dishwasher thereby it will be ready for next use effortlessly.



Catalytic Side Wall

The special removable catalytic material is covering the inner surface of our free-standing ovens, absorbs oil residues that cause visual pollution and bad smells. Catalytic walls, which regularly absorb the splashing oils during cooking, increase comfort by saving the customer from cleaning.



Halogen Lamp

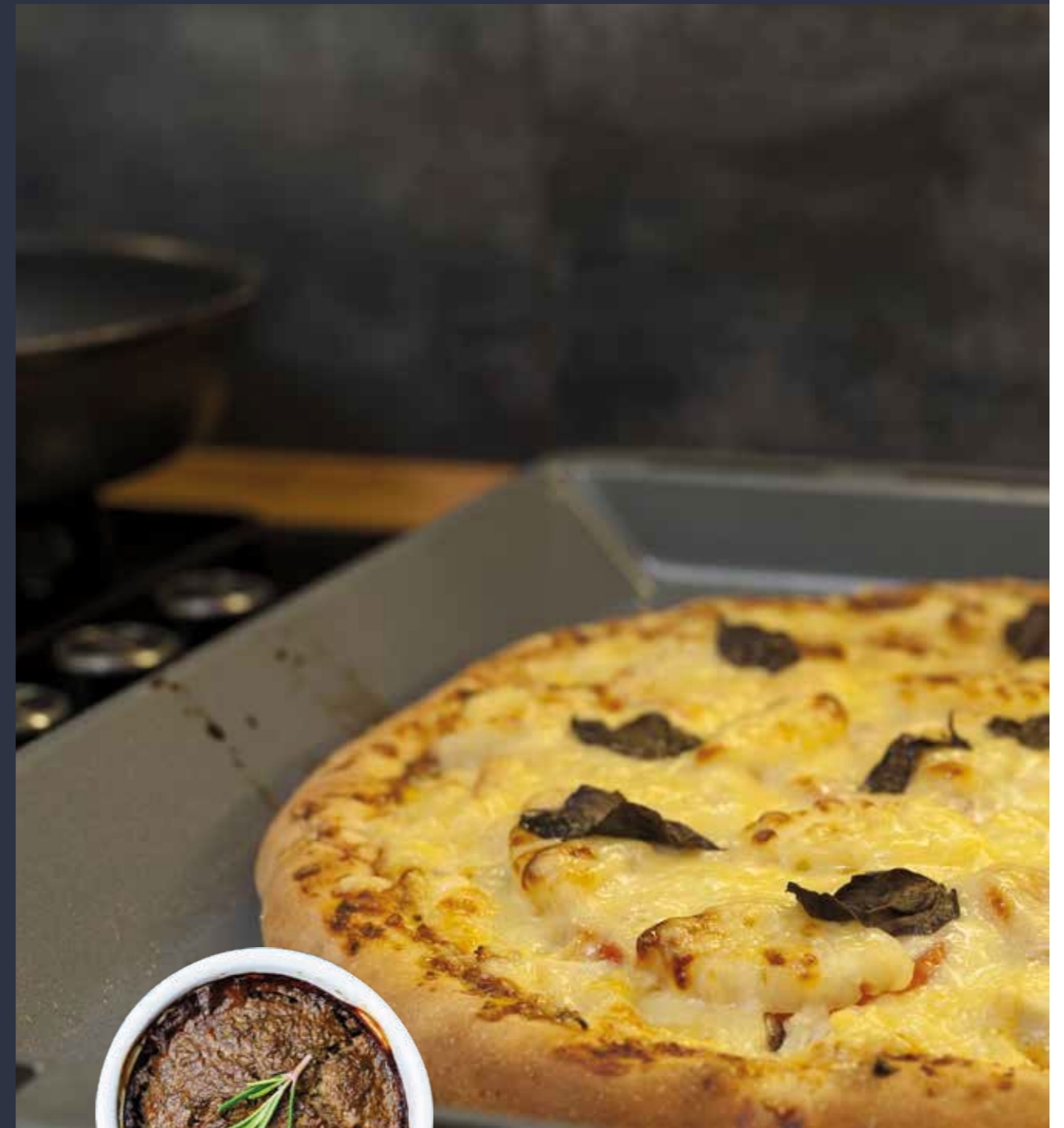
Thanks to the powerful interior lighting, you are always in control of the food being cooked in the oven.



Adjustable Feet

Thanks to the adjustable feet in our FreeStanding cookers, it is possible to adjust your oven to the height you want.





Turbo Fan

The special removable catalytic material, that covering the inner surface of our free-standing ovens, absorbs oil residues that cause visual pollution and bad smells. Catalytic walls, which regularly absorbs the splash oils during cooking, increase comfort by saving the customer from cleaning.





Rotisserie

Our free-standing ovens have the feature of turning chicken and with this skill, delicious chicken menus can be prepared.



Gas Safety System

If the wind blows your gas fire out or your pan boils too much and spilled, while you're under the spell of a gripping storyline, the gas safety feature will automatically turn your gas supply off, keeping you and your place safe. Even you aren't there.



Automatic Ignition

Total control of the ignition, convenient through a single-handed operation of turning the knob to automatically ignite the hob.



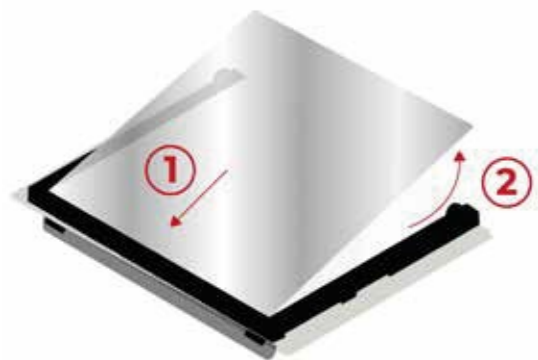
Tribble Burner

The Kumtel High Power Tribble Burner provides you an extremely intense flame with two separate flame rings. Tribble burner allows heat to distribute more evenly to the bottom of the pan and provides cooking efficiency and time advantage.





Easy Removable Inner Glass for Cleaning



The inner glass of our free-standing ovens can be removed and cleaned manually. The dirt, that is stuck between 2 glasses, can be reached easily.

50x50 FREE STANDING OVEN FEATURES



LF55S-40F

Main Features

Electric Oven Type
Thermostat
Gas Safety System
Hob Auto Ignition

Technical Features

Rapid Burner: 1 x 2,20 KW
Semi Rapid Burner: 2 x 1,65 KW
Auxiliary Burner: 1 x 1,10 KW
W x D x H: 50 x 50 x 87,5 cm



LF55G-40

Main Features

Gas Oven Type (Bottom Burner)
Hob Button Ignition

Technical Features

Rapid Burner: 1 x 2,20 KW
Semi Rapid Burner: 2 x 1,65 KW
Auxiliary Burner: 1 x 1,10 KW
W x D x H: 50 x 50 x 87,5 cm



LF55GG-40

Main Features

Gas Oven Type
(Bottom Burner + Upper Burner)
Pipe Burner Type

Technical Features

Rapid Burner: 1 x 2,20 KW
Semi Rapid Burner: 2 x 1,65 KW
Auxiliary Burner: 1 x 1,10 KW
W x D x H: 50 x 50 x 87,5 cm



LF55GG-40F

Main Features

Gas Oven Type
(Bottom Burner + Upper Burner)
Gas Safety System
Hob Auto Ignition

Technical Features

Rapid Burner: 1 x 2,20 KW
Semi Rapid Burner: 2 x 1,65 KW
Auxiliary Burner: 1 x 1,10 KW
W x D x H: 50 x 50 x 87,5 cm



50x50 FREE STANDING OVEN SPECIFICATION



Model	LF55S-40F	LF55G-40	LF55GG-40-Rustic	LF55GG-40F
Capacity (L)	45	45	45	45
Voltage (v)	220-240	220-240	220-240	220-240
Frequency (Hz)	50	50	50	50
Total Power	1600 W	-	-	-
Thermostat	Yes	Optional	Optional	Optional
Oven Type	Static	Gas (Bottom Burner)	Gas (Bottom + Upper Burner)	Gas (Bottom + Upper Burner)
Hob Type	4 Gas / Pool or Pipe	4 Gas / Pool or Pipe	4 Gas / Pool or Pipe	4 Gas / Pool or Pipe
Aesthetics	Favorite	Favorite	Favorite	Favorite
Display/Timer	Optional	Optional	Optional	Optional
Inner Door Type	Full Glass (Removable)	Full Glass (Removable)	Full Glass (Removable)	Full Glass (Removable)
Interior Accessory	1 x Cr-ni grid, 1 x Enamelled Rectangle Tray	1 x Cr-ni grid, 1 x Enamelled Rectangle Tray	1 x Cr-ni grid, 1 x Enamelled Rectangle Tray	1 x Cr-ni grid, 1 x Enamelled Rectangle Tray
Deep Tray	-	-	-	-
Turbo Fan	Optional	-	-	-
Rotisserie	Optional	Optional	Optional	Optional
Interior Light	Optional	Optional	Optional	Optional
Lid	Metal or Glass	Metal or Glass	Metal or Glass	Metal or Glass
Shelf Positions	4	4	4	4
Side Walls	Enamelled	Enamelled	Enamelled	Enamelled
Pun Support	Enamelled or Cast Iron	Enamelled or Cast Iron	Enamelled or Cast Iron	Enamelled or Cast Iron
Ignition	Auto or Button	Auto or Button	Auto or Button	Auto or Button
Flame Failure Device (FFD)	Optional	Optional	Optional	Optional



50x60 FREE STANDING OVEN FEATURES



LF56S-40F

Main Features

Electric Oven Type
Thermostat
Gas Safety System
Hob Auto Ignition

Technical Features

Rapid Burner: 1 x 2,20 KW
Semi Rapid Burner: 2 x 1,65 KW
Auxiliary Burner: 1 x 1,10 KW
W x D x H: 50 x 50 x 87,5 cm



LF56S-04

Main Features

Electric Oven Type
Electric Hob Type
Thermostat

Technical Features

Big Hotplate: 2 x 1500 W
Small Hotplate: 2 x 1000 W
W x D x H: 50 x 56,5 x 87,5 cm



LF56G-40

Main Features

Gas Oven Type (Bottom Burner)
Hob Auto Ignition

Technical Features

Rapid Burner: 1 x 2,20 KW
Semi Rapid Burner: 2 x 1,65 KW
Auxiliary Burner: 1 x 1,10 KW
W x D x H: 50 x 56,5 x 87,5 cm



LF56GG-40

Main Features

Gas Oven Type
(Bottom Burner + Upper Burner)
Hob Button Ignition
Rotisserie

Technical Features

Rapid Burner: 1 x 2,20 KW
Semi Rapid Burner: 2 x 1,65 KW
Auxiliary Burner: 1 x 1,10 KW
W x D x H: 50 x 56,5 x 87,5 cm



50x60 FREE STANDING OVEN SPECIFICATION



Model	LF56S-40F	LF56S-04	LF56G-40	LF56GG-40
Capacity (L)	45	45	45	45
Voltage (v)	220-240	220-240	220-240	220-240
Frequency (Hz)	50	50	50	50
Total Power	1600 W	6600 W	-	-
Thermostat	Yes	Yes	Optional	Optional
Oven Type	Static	Static	Gas (Bottom Burner)	Gas (Bottom + Upper Burner)
Hob Type	4 Gas / Pool or Pipe	4 Electric Hotplate	4 Gas / Pool or Pipe	4 Gas / Pool or Pipe
Aesthetics	Favorite	Favorite	Favorite	Favorite
Display/Timer	Optional	Optional	Optional	Optional
Inner Door Type	Full Glass (Removable)	Full Glass (Removable)	Full Glass (Removable)	Full Glass (Removable)
Interior Accessory	1 x Cr-ni grid, 1 x Enamelled Rectangle Tray	1 x Cr-ni grid, 1 x Enamelled Rectangle Tray	1 x Cr-ni grid, 1 x Enamelled Rectangle Tray	1 x Cr-ni grid, 1 x Enamelled Rectangle Tray
Deep Tray	-	-	-	-
Turbo Fan	Optional	Optional	-	-
Rotisserie	Optional	Optional	Optional	Optional
Interior Light	Optional	Optional	Optional	Optional
Lid	Metal or Glass	Metal or Glass	Metal or Glass	Metal or Glass
Shelf Positions	4	4	4	4
Side Walls	Enamelled	Enamelled	Enamelled	Enamelled
Pun Support	Enamelled or Cast Iron	-	Enamelled or Cast Iron	Enamelled or Cast Iron
Ignition	Auto or Button	-	Auto or Button	Auto or Button
Flame Failure Device (FFD)	Optional	-	Optional	Optional



60x60 FREE STANDING OVEN FEATURES



LF60S-40F



Main Features
Electric Oven Type
Thermostat
Gas Safety System
Hob Auto Ignition

Technical Features
Rapid Burner: 1 x 2,20 KW
Semi Rapid Burner: 2 x 1,65 KW
Auxiliary Burner: 1 x 1,10 KW
W x D x H: 60 x 60 x 87,5 cm

LF60GG-40



Main Features
Gas Oven Type (Bottom Burner+Upper Burner)
Pipe Burner Type

Technical Features
Rapid Burner: 1 x 2,20 KW
Semi Rapid Burner: 2 x 1,65 KW
Auxiliary Burner: 1 x 1,10 KW
W x D x H: 60 x 60 x 87,5 cm

LF60S-04VR



Main Features
Electric Oven Type
Thermostat
Vitroc ceramic Cooker Surface

Technical Features
Left Back: 180 mm / 1800 W
Right Back: 140 mm / 1200 W
Left Front: 140 mm / 1200 W
Right Front: 180 mm / 1800 W
W x D x H: 60 x 60 x 87,5 cm

LF60S-04



Main Features
Electric Oven Type
Thermostat

Technical Features
Big Hotplate: 2 x 1500 W
Small Hotplate: 2 x 1000 W
W x D x H: 60 x 60 x 87,5 cm



LF60S-40F

Main Features
Electric Oven Type
Rustic Design
Thermostat
Mechanical Timer
Gas Safety System
Hob Auto Ignition

Technical Features
Rapid Burner: 1 x 2,20 KW
Semi Rapid Burner: 2 x 1,65 KW
Auxiliary Burner: 1 x 1,10 KW
W x D x H: 60 x 60 x 87,5 cm



LF60S-31F

Main Features
Electric Oven Type
Thermostat
Gas Safety System
Hob Auto Ignition

Technical Features
Rapid Burner: 1 x 2,20 KW
Semi Rapid Burner: 1 x 1,65 KW
Auxiliary Burner: 1 x 1,10 KW
Hotplate: 1000 W
W x D x H: 60 x 60 x 87,5 cm



LF60S-22F

Main Features
Electric Oven Type
Thermostat
Mechanical Timer
Gas Safety System
Hob Auto Ignition

Technical Features
Rapid Burner: 1 x 2,20 KW
Semi Rapid Burner: 1 x 1,65 KW
Auxiliary Burner: 1 x 1,10 KW
Hotplate: 1 x 1000 W 1 x 1500 W
W x D x H: 60 x 60 x 87,5 cm



LF60GG-40F

Main Features
Gas Oven Type (Bottom Burner+Upper Burner)
Mechanical Timer
Rotisserie
Gas Safety System
Hob Button Ignition

Technical Features
Rapid Burner: 1 x 2,20 KW
Semi Rapid Burner: 2 x 1,65 KW
Auxiliary Burner: 1 x 1,10 KW
W x D x H: 60 x 60 x 87,5 cm



LF60GE-40F

Main Features
Mix Oven Type (Bottom Burner+Upper Heating Element)
Gas Safety System
Hob Auto Ignition

Technical Features
Rapid Burner: 1 x 2,20 KW
Semi Rapid Burner: 2 x 1,65 KW
Auxiliary Burner: 1 x 1,10 KW
W x D x H: 60 x 60 x 87,5 cm



LF60G-40F

Main Features
Gas Oven Type (Bottom Burner)
Gas Safety System
Hob Auto Ignition

Technical Features
Rapid Burner: 1 x 2,20 KW
Semi Rapid Burner: 2 x 1,65 KW
Auxiliary Burner: 1 x 1,10 KW
W x D x H: 60 x 60 x 87,5 cm

60x60 FREE STANDING OVEN SPECIFICATION



Model	LF60S-40F	LF60S-40F	LF60S-04	LF60S-31F	LF60S-22F	LF60S-04VR
Capacity (L)	57	57	57	57	57	57
Voltage (v)	220-240	220-240	220-240	220-240	220-240	220-240
Frequency (Hz)	50	50	50	50	50	50
Total Power	2400 W	2400 W	7400 W	3400 W	4900 W	8400 W
Thermostat	Yes	Yes	Yes	Optional	Optional	Yes
Oven Type	Static	Static	Static	Static	Static	Static
Hob Type	4 Gas / Pool or Pipe	4 Gas / Pool or Pipe	4 Electric Hotplate	3 Gas + 1 Electric Hotplate	2 Gas + 2 Electric Hotplate	Vitroceraamic Cooker
Aesthetics	Elyptic	Mercury	Favorite	Atlantis	Atlantis	Mercury
Display/Timer	Optional	Mechanical	Optional	Optional	Mechanical	Optional
Inner Door Type	Full Glass (Removable)	Full Glass (Removable)	Full Glass (Removable)	Full Glass (Removable)	Full Glass (Removable)	Full Glass (Removable)
Interior Accessory	1x Cr-ni grid, 1x Enamelled Rectangle Tray	1x Cr-ni grid, 1x Enamelled Rectangle Tray	1x Cr-ni grid, 1x Enamelled Rectangle Tray	1x Cr-ni grid, 1x Enamelled Rectangle Tray	1x Cr-ni grid, 1x Enamelled Rectangle Tray	1x Cr-ni grid, 1x Enamelled Rectangle Tray
Deep Tray	Optional	Optional	Optional	Optional	Optional	Optional
Turbo Fan	Optional	Optional	Optional	Optional	Optional	Optional
Rotisserie	Optional	Optional	Optional	Optional	Optional	Optional
Interior Light	Optional	Optional	Optional	Optional	Optional	Optional
Lid	Metal or Glass	Metal or Glass	Metal or Glass	Metal or Glass	Metal or Glass	-
Shelf Positions	4	4	4	4	4	4
Side Shelves	Embedded or Wire Shelf	Embedded or Wire Shelf	Embedded or Wire Shelf	Embedded or Wire Shelf	Embedded or Wire Shelf	Embedded or Wire Shelf
Side Walls	Enamelled	Enamelled	Enamelled	Enamelled	Enamelled	Enamelled
Pun Support	Enameled or Cast Iron	Enameled or Cast Iron	-	Enameled or Cast Iron	Enameled or Cast Iron	-
Ignition	Auto or Button	Auto or Button	-	Auto or Button	Auto or Button	-
Flame Failure Device (FFD)	Optional	Optional	-	Optional	Optional	-

Plates have one more option which is 1500 W rapid plate.
Color Options: Black, White, Beige, Gold, Brown, Pistachio Green, Orange, Wooden Color, Stainless Steel, Claret Red



60x60 FREE STANDING OVEN SPECIFICATION



Model	LF60G-40F	LF60GG-40	LF60GG-40F	LF60GE-40F
Capacity (L)	57	57	57	57
Voltage (v)	220-240	220-240	220-240	220-240
Frequency (Hz)	50	50	50	50
Total Power	-	-	-	-
Thermostat	Optional	Optional	Optional	Optional
Oven Type	Gas (Bottom Burner)	Gas (Bottom - Upper Burner)	Gas (Bottom - Upper Burner)	Mix (Bottom - Upper Heating)
Hob Type	4 Gas / Pool or Pipe	4 Gas / Pool or Pipe	4 Gas / Pool or Pipe	4 Gas / Pool or Pipe
Aesthetics	Favorite	Fashion	Mercury	Atlantis
Display/Timer	Optional	Optional	Optional	Optional
Inner Door Type	Full Glass (Removable)	Full Glass (Removable)	Full Glass (Removable)	Full Glass (Removable)
Interior Accessory	1x Cr-ni grid, 1x Enamelled Rectangle Tray	1x Cr-ni grid, 1x Enamelled Rectangle Tray	1x Cr-ni grid, 1x Enamelled Rectangle Tray	1x Cr-ni grid, 1x Enamelled Rectangle Tray
Deep Tray	Optional	Optional	Optional	Optional
Turbo Fan	Optional	Optional	Optional	Optional
Rotisserie	Optional	Optional	Optional	Optional
Interior Light	Optional	Optional	Optional	Optional
Lid	Metal or Glass	Metal or Glass	Metal or Glass	Metal or Glass
Shelf Positions	4	4	4	4
Side Shelves	Embedded or Wire Shelf	Embedded or Wire Shelf	Embedded or Wire Shelf	Embedded or Wire Shelf
Side Walls	Enamelled	Enamelled	Enamelled	Enamelled
Pun Support	Enamelled or Cast Iron	Enamelled or Cast Iron	Enamelled or Cast Iron	Enamelled or Cast Iron
Ignition	Auto or Button	Auto or Button	Auto or Button	Auto or Button
Flame Failure Device (FFD)	Optional	Optional	Optional	Optional

Color Options: Black, White, Beige, Gold, Brown, Pistachio Green, Orange, Wooden Color, Stainless Steel, Claret Red





60x60 PLANET FREE STANDING OVEN **FEATURES**



LF662S-40F

Main Features

Electric Oven Type
Thermostat
Gas Safety System
Hob Button Ignition

Technical Features

Rapid Burner: 1 x 2,20 KW
Semi Rapid Burner: 2 x 1,65 KW
Auxiliary Burner: 1 x 1,10 KW
W x D x H: 57 x 57 x 90 cm



LF66G-40F

Main Features

Gas Oven Type (Bottom Burner)
Gas Safety System
Hob Button Ignition

Technical Features

Rapid Burner: 1 x 2,20 KW
Semi Rapid Burner: 2 x 1,65 KW
Auxiliary Burner: 1 x 1,10 KW
W x D x H: 57 x 57 x 90 cm



LF66GG-40

Main Features

Gas Oven Type (Bottom Burner+Upper Burner)
Pipe Burner Type
Rotisserie
Hob Button Ignition

Technical Features

Rapid Burner: 1 x 2,20 KW
Semi Rapid Burner: 2 x 1,65 KW
Auxiliary Burner: 1 x 1,10 KW
W x D x H: 57 x 57 x 90 cm



LF66GG-40

Main Features

Gas Oven Type (Bottom Burner+Upper Burner)
Pipe Burner Type
Rotisserie
Hob Button Ignition

Technical Features

Rapid Burner: 1 x 2,20 KW
Semi Rapid Burner: 2 x 1,65 KW
Auxiliary Burner: 1 x 1,10 KW
W x D x H: 57 x 57 x 90 cm



LF66GG-40F

Main Features

Gas Oven Type (Bottom Burner+Upper Burner)
Rustic Design
Gas Safety System
Hob Button Ignition

Technical Features

Rapid Burner: 1 x 2,20 KW
Semi Rapid Burner: 2 x 1,65 KW
Auxiliary Burner: 1 x 1,10 KW
W x D x H: 57 x 57 x 90 cm



LF66GE-40F

Main Features

Mix Oven Type (Bottom Burner+Upper Heating Element)
Rustic Design
Gas Safety System
Hob Auto Ignition

Technical Features

Rapid Burner: 1 x 2,20 KW
Semi Rapid Burner: 2 x 1,65 KW
Auxiliary Burner: 1 x 1,10 KW
W x D x H: 57 x 57 x 90 cm



60x60 PLANET FREE STANDING OVEN



LF66GG-40
(Black-Wood Color)



LF66GG-40
(Black-Beige Color)



LF66GG-40
(Black-Gold Color)



LF66GG-40
(Black-Red Color)



LF66GG-40
(Black-Orange Color)



LF66GG-40
(Black-Green Color)



60x60 FREE STANDING PLANET OVEN SPECIFICATION



Model	LF662S-40F	LF66G-40F	LF66GG-40	LF66GG-40	LF66GG-40F	LF66GE-40
Capacity (L)	50-56	50-56	50-56	50-56	50-56	50-56
Voltage (v)	220-240	220-240	220-240	220-240	220-240	220-240
Frequency (Hz)	50	50	50	50	50	50
Total Power	1600 W	-	-	-	-	-
Thermostat	Optional	Optional	Optional	Optional	Optional	Optional
Oven Type	Static	Gas (Bottom Burner)	Gas (Bottom Burner)	Gas (Bottom - Upper Heating)	Gas (Bottom - Upper Burner)	Mix (Bottom - Upper Heating)
Hob Type	4 Gas / Pool or Pipe	4 Gas / Pool or Pipe	4 Gas / Pool or Pipe	4 Gas / Pool or Pipe	4 Gas / Pool or Pipe	4 Gas / Pool or Pipe
Aesthetics	Planet	Planet	Planet	Planet	Planet	Planet
Display/Timer	Optional	Optional	Optional	Optional	Optional	Optional
Inner Door Type	Full Glass (Removable)	Full Glass (Removable)	Full Glass (Removable)	Full Glass (Removable)	Full Glass (Removable)	Full Glass (Removable)
Interior Accessory	1x Cr-ni grid, 1x Enamelled Rectangle Tray	1x Cr-ni grid, 1x Enamelled Rectangle Tray	1x Cr-ni grid, 1x Enamelled Rectangle Tray	1x Cr-ni grid, 1x Enamelled Rectangle Tray	1x Cr-ni grid, 1x Enamelled Rectangle Tray	1x Cr-ni grid, 1x Enamelled Rectangle Tray
Deep Tray	Optional	Optional	Optional	Optional	Optional	Optional
Turbo Fan	Optional	-	Optional	Optional	Optional	Optional
Rotisserie	Optional	Optional	Optional	Optional	Optional	Optional
Interior Light	Optional	Optional	Optional	Optional	Optional	Optional
Lid	Glass	Glass	Glass	Glass	Glass	Glass
Shelf Positions	4	4	4	4	4	4
Side Shelves	Embedded or Wire Shelf	Embedded or Wire Shelf	Embedded or Wire Shelf	Embedded or Wire Shelf	Embedded or Wire Shelf	Embedded or Wire Shelf
Side Walls	Enamelled	Enamelled	Enamelled	Enamelled	Enamelled	Enamelled
Pan Support	Enamelled or Cast Iron	Enamelled or Cast Iron	Enamelled or Cast Iron	Enamelled or Cast Iron	Enamelled or Cast Iron	Enamelled or Cast Iron
Ignition	Auto or Button	Auto or Button	Auto or Button	Auto or Button	Auto or Button	Auto or Button
Flame Failure Device (FFD)	Optional	Optional	Optional	Optional	Optional	Optional

Color Options: Black, White, Beige, Gold, Brown, Pistachio Green, Orange, Wooden Color, Stainless Steel, Claret Red



60x90 FREE STANDING OVEN FEATURES

LF699S-50F



Main Features
 Electric Oven Type
 Thermostat
 Mechanical Timer
 Gas Safety System
 Hob Auto Ignition

Technical Features
 Rapid Burner: 1 x 2,20 KW
 Semi Rapid Burner: 2 x 1,65 KW
 Auxiliary Burner: 1 x 1,10 KW
 Wok Burner: 1 x 3,60 KW
 W x D x H: 89,5 x 60 x 83~91 cm

Main Features
 Electric Oven Type
 Thermostat
 Mechanical Timer
 Gas Safety System
 Hob Auto Ignition

Technical Features
 Rapid Burner: 1 x 2,20 KW
 Semi Rapid Burner: 2 x 1,65 KW
 Auxiliary Burner: 1 x 1,10 KW
 Hotplate: 1 x 1500 W
 W x D x H: 89,5 x 60 x 83~91 cm

LF699S-41F



LF699GG-50F



Main Features
 Gas Oven Type (Bottom Burner+Upper Burner)
 Mechanical Timer
 Gas Safety System
 Rotisserie
 Hob Button Ignition

Technical Features
 Rapid Burner: 1 x 2,20 KW
 Semi Rapid Burner: 2 x 1,65 KW
 Auxiliary Burner: 1 x 1,10 KW
 Wok Burner: 1 x 3,60 KW
 W x D x H: 89,5 x 60 x 83~91 cm

LF696S-50F



Main Features
 Electric Oven Type
 Bottle compartment
 Thermostat
 Mechanical Timer
 Gas Safety System
 Hob Auto Ignition

Technical Features
 Rapid Burner: 1 x 2,20 KW
 Semi Rapid Burner: 2 x 1,65 KW
 Auxiliary Burner: 1 x 1,10 KW
 Wok Burner: 1 x 3,60 KW
 W x D x H: 89,5 x 60 x 83~91 cm



LF699S-42F

Main Features
 Electric Oven Type
 Thermostat
 Mechanical Timer
 Gas Safety System
 Hob Auto Ignition

Technical Features
 Rapid Burner: 1 x 2,20 KW
 Semi Rapid Burner: 2 x 1,65 KW
 Auxiliary Burner: 1 x 1,10 KW
 Hotplate: 1 x 1500 W 1 X 1000 W
 W x D x H: 89,5 x 60 x 83~91 cm



LF699GG-50

Main Features
 Gas Oven Type (Bottom Burner+Upper Burner)
 Mechanical Timer
 Brass Burner
 Rotisserie
 Hob Button Ignition

Technical Features
 Rapid Burner: 1 x 2,20 KW
 Semi Rapid Burner: 2 x 1,65 KW
 Auxiliary Burner: 1 x 1,10 KW
 Wok Burner: 1 x 3,60 KW
 *W x D x H: 89,5 x 60 x 83~91 cm



LF699GG-50

Main Features
 Gas Oven Type (Bottom Burner+Upper Burner)
 Mechanical Timer
 Brass Burner
 Rotisserie
 Hob Button Ignition

Technical Features
 Rapid Burner: 1 x 2,20 KW
 Semi Rapid Burner: 2 x 1,65 KW
 Auxiliary Burner: 1 x 1,10 KW
 Wok Burner: 1 x 3,60 KW
 W x D x H: 89,5 x 60 x 83~91 cm



LF696S-41F

Main Features
 Electric Oven Type
 Bottle compartment
 Thermostat
 Mechanical Timer
 Gas Safety System
 Hob Auto Ignition

Technical Features
 Rapid Burner: 1 x 2,20 KW
 Semi Rapid Burner: 2 x 1,65 KW
 Auxiliary Burner: 1 x 1,10 KW
 Hotplate: 1 x 1500 W
 W x D x H: 89,5 x 60 x 83~91 cm



LF696S-42F

Main Features
 Electric Oven Type
 Bottle compartment
 Thermostat
 Mechanical Timer
 Gas Safety System
 Hob Auto Ignition

Technical Features
 Rapid Burner: 1 x 2,20 KW
 Semi Rapid Burner: 2 x 1,65 KW
 Auxiliary Burner: 1 x 1,10 KW
 Hotplate: 1 x 1500 W 1 X 1000 W
 W x D x H: 89,5 x 60 x 83~91 cm



LF696GG-50F

Main Features
 Gas Oven Type (Bottom Burner+Upper Burner)
 Bottle compartment
 Mechanical Timer
 Gas Safety System
 Rotisserie
 Hob Button Ignition

Technical Features
 Rapid Burner: 1 x 2,20 KW
 Semi Rapid Burner: 2 x 1,65 KW
 Auxiliary Burner: 1 x 1,10 KW
 Wok Burner: 1 x 3,60 KW
 W x D x H: 89,5 x 60 x 83~91 cm

60x90 FREE STANDING OVEN SPECIFICATION



Model	LF699S-50F	LF699S-41F	LF699S-42F	LF699GG-50	LF699GG-50
Capacity (L)	102	102	102	102	102
Voltage (v)	220-240	220-240	220-240	220-240	220-240
Frequency (Hz)	50	50	50	50	50
Total Power	3250 W	4750 W	5750 W	-	-
Thermostat	Optional	Optional	Optional	Optional	Optional
Oven Type	Static	Static	Static	Gas (Bottom - Upper Burner)	Gas (Bottom - Upper Burner)
Hob Type	5 Gas (1 Tribble)	4 Gas + 1 Electric Hotplate	4 Gas + 2 Electric Hotplate	5 Gas (1 Tribble)	5 Gas (1 Tribble)
Aesthetics	FreeStanding Oven	FreeStanding Oven	FreeStanding Oven	FreeStanding Oven	FreeStanding Oven
Display/Timer	Optional	Optional	Optional	Optional	Optional
Inner Door Type	Full Glass (Removable)	Full Glass (Removable)	Full Glass (Removable)	Full Glass (Removable)	Full Glass (Removable)
Interior Accessory	1x Cr-ni grid, 1x Enamelled Rectangle Tray	1x Cr-ni grid, 1x Enamelled Rectangle Tray	1x Cr-ni grid, 1x Enamelled Rectangle Tray	1x Cr-ni grid, 1x Enamelled Rectangle Tray	1x Cr-ni grid, 1x Enamelled Rectangle Tray
Deep Tray	-	-	-	-	-
Turbo Fan	Optional	Optional	Optional	Optional	Optional
Rotisserie	-	-	-	Optional	Optional
Interior Light	Optional	Optional	Optional	Optional	Optional
Lid	Glass	Glass	Glass	Glass	Glass
Shelf Positions	4	4	4	4	4
Side Shelves	Wire Shelves	Wire Shelves	Wire Shelves	Wire Shelves	Wire Shelves
Side Walls	Enamelled	Enamelled	Enamelled	Enamelled	Enamelled
Pun Support	Rectangle (Enamelled or Cast Iron)	Rectangle (Enamelled or Cast Iron)	Rectangle (Enamelled or Cast Iron)	Rectangle (Enamelled or Cast Iron)	Rectangle (Enamelled or Cast Iron)
Ignition	Auto or Button	Auto or Button	Auto or Button	Auto or Button	Auto or Button
Flame Failure Device (FFD)	Optional	Optional	Optional	Optional	Optional

Color Options: Black, White, Beige, Gold, Brown, Pistachio Green, Orange, Wooden Color, Stainless Steel, Claret Red



60x90 FREE STANDING OVEN SPECIFICATION



Model	LF699GG-50F	LF696S-50F	LF696S-41F	LF696S-42F	LF696GG-50F
Capacity (L)	102	54-61	54-61	54-61	54-61
Voltage (v)	220-240	220-240	220-240	220-240	220-240
Frequency (Hz)	50	50	50	50	50
Total Power	-	2400 W	3900 W	4900 W	-
Thermostat	Optional	Optional	Optional	Optional	Optional
Oven Type	Gas (Bottom - Upper Burner)	Static	Static	Static	Gas (Bottom - Upper Burner)
Hob Type	5 Gas (1 Tribble)	5 Gas (1 Tribble)	4 Gas + 1 Electric Hotplate	4 Gas + 2 Electric Hotplate	5 Gas (1 Tribble)
Aesthetics	FreeStanding Oven	FreeStanding Oven (Propane Cylinder Cabin)	FreeStanding Oven (Propane Cylinder Cabin)	FreeStanding Oven (Propane Cylinder Cabin)	FreeStanding Oven (Propane Cylinder Cabin)
Display/Timer	Optional	Optional	Optional	Optional	Optional
Inner Door Type	Full Glass (Removable)	Full Glass (Removable)	Full Glass (Removable)	Full Glass (Removable)	Full Glass (Removable)
Interior Accessory	1x Cr-ni grid, 1x Enamelled Rectangle Tray	1x Cr-ni grid, 1x Enamelled Rectangle Tray	1x Cr-ni grid, 1x Enamelled Rectangle Tray	1x Cr-ni grid, 1x Enamelled Rectangle Tray	1x Cr-ni grid, 1x Enamelled Rectangle Tray
Deep Tray	-	Optional	Optional	Optional	-
Turbo Fan	Optional	Optional	Optional	Optional	Optional
Rotisserie	Optional	-	-	-	Optional
Interior Light	Optional	Optional	Optional	Optional	Optional
Lid	Glass	Glass	Glass	Glass	Glass
Shelf Positions	4	4	4	4	4
Side Shelves	Wire Shelves	Embedded or Wire Shelves	Embedded or Wire Shelves	Embedded or Wire Shelves	Embedded or Wire Shelves
Side Walls	Enamelled	Enamelled	Enamelled	Enamelled	Enamelled
Pun Support	Rectangle (Enamelled or Cast Iron)	Rectangle (Enamelled or Cast Iron)	Rectangle (Enamelled or Cast Iron)	Rectangle (Enamelled or Cast Iron)	Rectangle (Enamelled or Cast Iron)
Ignition	Auto or Button	Auto or Button	Auto or Button	Auto or Button	Auto or Button
Flame Failure Device (FFD)	Optional	Optional	Optional	Optional	Optional

Color Options: Black, White, Beige, Gold, Brown, Pistachio Green, Orange, Wooden Color, Stainless Steel, Claret Red



KUMTEL®

Mini Oven



MINI OVEN



Bar Shelf System

The smooth side shelves, that in our mini ovens, make the use of the oven quite easy and provides comfort in your kitchen.





Rotisserie

Our Mini Ovens have the feature of turning chicken and with this skill, delicious chicken menus can be prepared.



Turbo Fan

Thanks to its turbo fan feature, it maintains the right temperature and provides constantly equal cooking results.



KUMTEL®



Double / Triple Hotplate

Thanks to the mini ovens with stove, you can brew your coffee and tea on the stove and have fun while your food is cooking in the oven.



NEW A-13



1. Type

(Eva)



2. Type

(Chef)

Halogen Lamp

Thanks to the powerful interior lighting, you are always in control of the food cooked in the oven.



Double Glass

Thanks to the Double glasses feature that can be applied in our Mini Ovens, the inside of the oven is keeping warm, while the heating. The outer glass is prevented from heat by indoor glasses.



KUMTEL



Granitech Chamber

Granite hopper structure packages are cleanable and free of dirt oils.



Easy Clean Foldable Heating Element

Thanks to the movable heating element, the surrounding of the resistance and the inside of the oven can be easily cleaned.





KUMTEL

Widen Back Cover (Borekci)



Thanks to this feature, you can create wonders by using a round tray for the perfect pastries and desserts you will prepare for your guests.

3100 SERIES OVEN FEATURES

6135



Main Features
3 Functions
Thermostat
Galvanized side walls

Technical Features
Oven Capacity: 32 L
W x D x H: 53 x 41 x 34 cm

Box Dimensions
(Box): W x D x H:
54 x 45,5 x 35 cm
(Box + Polyfoam)
W x D x H: 57 x 47 x 37 cm

Main Features
3 Functions
Mechanical Timer
Thermostat
Galvanized side walls

Technical Features
Oven Capacity: 32 L
W x D x H: 53 x 41 x 34 cm

Box Dimensions
(Box): W x D x H:
54 x 45,5 x 35 cm
(Box + Polyfoam)
W x D x H: 57 x 47 x 37 cm



3125



3125 RUSTIC

Main Features
3 Functions
Mechanical Timer
Thermostat
Galvanized side walls

Technical Features
Oven Capacity: 32 L
W x D x H: 53 x 41 x 34 cm

Box Dimensions
(Box): W x D x H:
54 x 45,5 x 35 cm
(Box + Polyfoam)
W x D x H: 57 x 47 x 37 cm



3175

Main Features
4 Functions
Mechanical Timer
Turbo Fan
Thermostat
Galvanized side walls

Technical Features
Oven Capacity: 32 L
W x D x H: 53 x 41 x 34 cm

Box Dimensions
(Box): W x D x H:
54 x 45,5 x 35 cm
(Box + Polyfoam)
W x D x H: 57 x 47 x 37 cm



3145

Main Features
5 Functions
Mechanical Timer
Turbo Fan
Rotisserie
Thermostat
Galvanized side walls

Technical Features
Oven Capacity: 32 L
W x D x H: 53 x 41 x 34 cm

Box Dimensions
(Box): W x D x H:
54 x 45,5 x 35 cm
(Box + Polyfoam)
W x D x H: 57 x 47 x 37 cm

3100 SERIES OVEN SPECIFICATION



Model	6135	3125	3125	3175	3145
Capacity (L)	32	32	32	32	32
Voltage (v)	220-240	220-240	220-240	220-240	220-240
Frequency (Hz)	50	50	50	50	50
Functions	3	3	3	4	5
Oven Type	Static	Static	Static	Static + Fan	Static + Fan + Rotisserie
Double Glass	Optional	Optional	Optional	Optional	Optional
Timer	-	Mechanical Timer	Mechanical Timer	Mechanical Timer	Mechanical Timer
Thermostat	Yes	Yes	Yes	Yes	Yes
Turbo Fan	-	-	-	Yes	Yes
Grill	-	-	-	-	Yes
Interior Accessory	1x Cr-ni grid, 1x Enamelled Rectangle Tray	1x Cr-ni grid, 1x Enamelled Rectangle Tray	1x Cr-ni grid, 1x Enamelled Rectangle Tray	1x Cr-ni grid, 1x Enamelled Rectangle Tray	1x Cr-ni grid, 1x Enamelled Rectangle Tray
Rotisserie	-	-	-	-	Yes
Interior Light	-	-	-	Hologen	Hologen
Shelf Positions	3	3	3	3	3
Side Shelves	Embedded	Embedded	Embedded	Embedded	Embedded
Packing	Polyfoam + Box	Polyfoam + Box	Polyfoam + Box	Polyfoam + Box	Polyfoam + Box
Oven Power	1420 W	1420 W	1420 W	1420 W	1420 W
Hotplates	-	-	-	-	-

Color Options: Black, White, Beige, Turquoise, Claret Red, Orange, Pink, Fuschia



3500 SERIES OVEN FEATURES

3520



Main Features
3 Functions
Mechanical Timer
Thermostat
Galvanised Top & Bottom,
Enamelled Sides

Technical Features
Oven Capacity: 40 L
W x D x H: 63 x 41 x 33 cm

Box Dimensions
(Box):
W x D x H:
65 x 45 x 36,5 cm

3520 RUSTIC



Main Features
3 Functions
Rustic Design
Mechanical Timer
Thermostat
Galvanised Top & Bottom,
Enamelled Sides

Technical Features
Oven Capacity: 40 L
W x D x H: 63 x 41 x 33 cm

Box Dimensions
(Box):
W x D x H:
65 x 45 x 36,5 cm



3575

Main Features
4 Functions
Turbo Fan
Mechanical Timer
Thermostat
Galvanised Top & Bottom,
Enamelled Sides

Technical Features
Oven Capacity: 40 L
W x D x H: 63 x 41 x 33 cm

Box Dimensions
(Box): W x D x H:
65 x 45 x 36,5 cm



3540

Main Features
4 Functions
Mechanical Timer
Rotisserie
Thermostat
Galvanised Top & Bottom,
Enamelled Sides

Technical Features
Oven Capacity: 40 L
W x D x H: 63 x 41 x 33 cm

Box Dimensions
(Box): W x D x H:
65 x 45 x 36,5 cm



3545

Main Features
5 Functions
Turbo Fan
Mechanical Timer
Rotisserie
Thermostat
Galvanised Top & Bottom,
Enamelled Sides

Technical Features
Oven Capacity: 40 L
W x D x H: 63 x 41 x 33 cm

Box Dimensions
(Box): W x D x H:
65 x 45 x 36,5 cm

3500 SERIES OVEN SPECIFICATION



Model	3520	3520 RUSTIC	3575	3540	3545
Capacity (L)	40	40	45	40	40
Voltage (v)	220-240	220-240	220-240	220-240	220-240
Frequency (Hz)	50	50	50	50	50
Functions	3	3	4	4	5
Oven Type	Static	Static	Static + Fan	Static + Rotisserie	Static + Fan + Rotisserie
Double Glass	Optional	Optional	Optional	Optional	Optional
Timer	Mechanical Timer	Mechanical Timer	Mechanical Timer	Mechanical Timer	Mechanical Timer
Thermostat	Yes	Yes	Yes	Yes	Yes
Turbo Fan	-	-	Yes	Yes	Yes
Grill	-	-	-	Yes	Yes
Interior Accessory	1x Cr-ni grid, 1x Enamelled Rectangle Tray	1x Cr-ni grid, 1x Enamelled Rectangle Tray	1x Cr-ni grid, 1x Enamelled Rectangle Tray	1x Cr-ni grid, 1x Enamelled Rectangle Tray	1x Cr-ni grid, 1x Enamelled Rectangle Tray
Rotisserie	-	-	-	Yes	Yes
Interior Light	Hologen	Hologen	Hologen	Hologen	Hologen
Shelf Positions	3	3	3	3	3
Side Shelves	Embedded	Embedded	Embedded	Embedded	Embedded
Packing	Polyfoam + Box	Polyfoam + Box	Polyfoam + Box	Polyfoam + Box	Polyfoam + Box
Oven Power	1800 W or 1450 W	1800 W or 1450 W	1800 W or 1450 W	1800 W or 1450 W	1800 W or 1450 W
Hotplates	-	-	-	-	-
Widen Back Cover (Borekci)	-	-	Yes	-	-

Color Options: Black, White, Beige, Turquoise, Claret Red, Orange, Pink, Fuschia



5300 SERIES OVEN FEATURES



5320 SERIES

Main Features

4 Functions
Turbo Fan
Mechanical Timer
Thermostat
Galvanised Side Walls

Technical Features

Oven Capacity: 32 L
W x D x H:
51,5 x 45 x 31,5 cm

Box Dimensions

(Box): W x D x H: 5
6,5 x 47,5 x 36,5 cm



5320 RUSTIC

Main Features

3 Functions
Rustic Design
Mechanical Timer
Thermostat
Galvanised Side Walls

Technical Features

Oven Capacity: 32 L
W x D x H:
51,5 x 45 x 31,5 cm

Box Dimensions

(Box): W x D x H: 5
56,5 x 47,5 x 36,5 cm



5340 SERIES

Main Features

4 Functions
Mechanical Timer
Rotisserie
Thermostat
Galvanised Side Walls

Technical Features

Oven Capacity: 32 L
W x D x H:
51,5 x 45 x 31,5 cm

Box Dimensions

(Box): W x D x H: 5
56,5 x 47,5 x 36,5 cm



5345 SERIES

Main Features

5 Functions
Turbo Fan
Mechanical Timer
Rotisserie
Thermostat
Galvanised Top & Bottom,
Enamelled Sides

Technical Features

Oven Capacity: 32 L
W x D x H:
60 x 41 x 32 cm

Box Dimensions

(Box): W x D x H: 5
56,5 x 47,5 x 36,5 cm



5360 SERIES

Main Features

5 Functions
Turbo Fan
Mechanical Timer
Rotisserie
Thermostat
Galvanised Side Walls

Technical Features

Oven Capacity: 32 L
W x D x H:
51,5 x 45 x 31,5 cm

Box Dimensions

(Box): W x D x H: 5
56,5 x 47,5 x 36,5 cm



5375 SERIES

Main Features

4 Functions
Turbo Fan
Mechanical Timer
Thermostat
Galvanised Side Walls

Technical Features

Oven Capacity: 32 L
W x D x H:
51,5 x 45 x 31,5 cm

Box Dimensions

(Box): W x D x H: 5
6,5 x 47,5 x 36,5 cm

5300 SERIES OVEN SPECIFICATION



Model	5320 SERIES	5340	5345	5360 SERIES	5375
Capacity (L)	32	32	32	32	32
Voltage (v)	220-240	220-240	220-240	220-240	220-240
Frequency (Hz)	50	50	50	50	50
Functions	3	4	5	3	4
Oven Type	Static	Static + Rotisserie	Static + Fan + Rotisserie	Static	Static + Fan
Double Glass	Optional	Optional	Optional	Optional	Optional
Timer	Mechanical Timer	Mechanical Timer	Mechanical Timer	Mechanical Timer	Mechanical Timer
Thermostat	Yes	Yes	Yes	Yes	Yes
Turbo Fan	-	-	Yes	-	Yes
Grill	-	Yes	Yes	-	-
Interior Accessory	1x Cr-ni grid, 1x Enamelled Rectangle Tray	1x Cr-ni grid, 1x Enamelled Rectangle Tray	1x Cr-ni grid, 1x Enamelled Rectangle Tray	1x Cr-ni grid, 1x Enamelled Rectangle Tray	1x Cr-ni grid, 1x Enamelled Rectangle Tray
Rotisserie	-	Yes	Yes	-	-
Interior Light	Optional	Optional	Optional	Optional	Optional
Shelf Positions	3	3	3	3	3
Side Shelves	Embedded	Embedded	Embedded	Embedded	Embedded
Packing	Polyfoam + Box	Polyfoam + Box	Polyfoam + Box	Polyfoam + Box	Polyfoam + Box
Oven Power	1420 W	1420 W	1420 W	1420 W	1420 W
Hotplates	-	-	-	1000+1500 W	-

Color Options: Black, White, Beige, Turquoise, Claret Red, Orange, Pink, Fuschia



8500 SERIES OVEN FEATURES



8520

Main Features

3 Functions
Mechanical Timer
Thermostat
Galvanised Side Walls

Technical Features

Oven Capacity: 20 L
W x D x H:
44 x 44 x 33 cm

Technical Features

(Box): W x D x H: 48 x 47 x 37,5 cm



8589



8525

Main Features

4 Functions
Turbo Fan
Mechanical Timer
Thermostat
Galvanised Side Walls

Technical Features

Oven Capacity: 20 L
W x D x H:
44 x 44 x 33 cm

Box Dimensions

(Box): W x D x H: 48 x 47 x 37,5 cm

Main Features

5 Functions
Turbo Fan
Rotisserie
Mechanical Timer
Thermostat
Galvanised Side Walls

Technical Features

Oven Capacity: 20 L
W x D x H: 44 x 44 x 33 cm

Box Dimensions

(Box): W x D x H:
48 x 47 x 37,5 cm

8500 SERIES OVEN SPECIFICATION



Model	8520	8525	8589
Capacity (L)	20	20	20
Voltage (v)	220-240	220-240	220-240
Frequency (Hz)	50	50	50
Functions	3	4	5
Oven Type	Static	Static + Fan	Static + Fan + Rotisserie
Double Glass	Optional	Optional	Optional
Timer	Mechanical Timer	Mechanical Timer	Mechanical Timer
Thermostat	Yes	Yes	Yes
Turbo Fan	-	Yes	Yes
Grill	-	-	Yes
Interior Accessory	1x Cr-ni grid, 1x Rectangle 1x Round Enamelled	1x Cr-ni grid, 1x Rectangle 1x Round Enamelled	1x Cr-ni grid, 1x Rectangle 1x Round Enamelled
Rotisserie	-	-	Yes
Interior Light	Hologen	Hologen	Hologen
Shelf Positions	3	3	3
Side Shelves	Bar	Bar	Bar
Packing	Polyfoam + Box	Polyfoam + Box	Polyfoam + Box
Oven Power	1000 W	1000 W	1000 W
Hotplates	-	-	-

Color Options: Black, White, Grey, Beige, Orange, Pink, Fuschia



9300 SERIES OVEN FEATURES



9320

Main Features

3 Functions
Mechanical Timer
Thermostat
Galvanised Side Walls

Technical Features

Oven Capacity: 70 L
W x D x H: 63 x 53 x 40 cm

Box Dimensions

(Box): W x D x H: 65 x 54 x 41 cm

9325

Main Features

4 Functions
Turbo Fan
Mechanical Timer
Thermostat
Galvanised Side Walls

Technical Features

Oven Capacity: 70 L
W x D x H: 63 x 53 x 40 cm

Box Dimensions

(Box): W x D x H: 65 x 54 x 41 cm

9340

Main Features

4 Functions
Rotisserie
Mechanical Timer
Thermostat
Galvanised Side Walls

Technical Features

Oven Capacity: 70 L
W x D x H: 63 x 53 x 40 cm



9345

Main Features

5 Functions
Turbo Fan
Mechanical Timer
Rotisserie
Thermostat
Galvanised Side Walls

Technical Features

Oven Capacity: 70 L
W x D x H: 63 x 53 x 40 cm

Box Dimensions

(Box): W x D x H: 65 x 54 x 41 cm



9300 SERIES OVEN SPECIFICATION



Model	9320	9325	9340	9345
Capacity (L)	70	70	70	70
Voltage (v)	220-240	220-240	220-240	220-240
Frequency (Hz)	50	50	50	50
Functions	3	4	4	5
Oven Type	Static	Static + Fan	Static + Rotisserie	Static + Fan + Rotisserie
Double Glass	Optional	Optional	Optional	Optional
Timer	Mechanical Timer	Mechanical Timer	Mechanical Timer	Mechanical Timer
Thermostat	Yes	Yes	Yes	Yes
Turbo Fan	-	Yes	-	Yes
Grill	-	-	Yes	Yes
Interior Accessory	1x Cr-ni grid, 1x Rectangle 1x Round Enamelled	1x Cr-ni grid, 1x Rectangle 1x Round Enamelled	1x Cr-ni grid, 1x Rectangle 1x Round Enamelled	1x Cr-ni grid, 1x Rectangle 1x Round Enamelled
Rotisserie	-	-	Yes	Yes
Interior Light	Hologen	Hologen	Hologen	Hologen
Shelf Positions	3	3	3	3
Side Shelves	Bar	Bar	Bar	Bar
Packing	Polyfoam + Box	Polyfoam + Box	Polyfoam + Box	Polyfoam + Box
Oven Power	2000 / 2500 W	2000 / 2500 W	2000 / 2500 W	2000 / 2500 W
Hotplates	-	-	-	-

Color Options: Black, White, Grey, Beige, Claret Red, Stainless Steel (Panel)



13500 SERIES OVEN FEATURES



13520

Main Features

3 Functions
Mechanical Timer
Thermostat
Galvanised Top & Bottom,
Enamelled Sides

Technical Features

Oven Capacity: 45 L
W x D x H: 60 x 41 x 32 cm

Box Dimensions

Oven Capacity: 45 L
W x D x H: 60 x 41 x 32 cm



13575

Main Features

4 Functions
Turbo Fan
Mechanical Timer
Thermostat
Galvanised Top & Bottom,
Enamelled Sides

Technical Features

Oven Capacity: 45 L
W x D x H: 60 x 41 x 32 cm

Box Dimensions

(Box): W x D x H: 64 x 47 x 39 cm



13540

Main Features

4 Functions
Mechanical Timer
Rotisserie
Thermostat
Galvanised Top & Bottom,
Enamelled Sides

Technical Features

Oven Capacity: 45 L
W x D x H: 60 x 41 x 32 cm

Box Dimensions

(Box): W x D x H: 64 x 47 x 39 cm



13545

Main Features

5 Functions
Turbo Fan
Mechanical Timer
Rotisserie
Thermostat
Galvanised Top & Bottom,
Enamelled Sides

Technical Features

Oven Capacity: 45 L
W x D x H: 60 x 41 x 32 cm

Box Dimensions

(Box): W x D x H: 64 x 47 x 39 cm



13576

Main Features

3 Functions
Thermostat
Galvanised Top & Bottom,
Enamelled Sides
Double Hotplate

Technical Features

Oven Capacity: 45 L
W x D x H: 60 x 41 x 39 cm

Box Dimensions

(Box): W x D x H: 64 x 47 x 43,5 cm



13577

Main Features

3 Functions
Thermostat
Galvanised Top & Bottom,
Enamelled Sides
Triple Hotplate

Technical Features

Oven Capacity: 45 L
W x D x H: 60 x 41 x 39 cm

Box Dimensions

(Box): W x D x H: 64 x 47 x 43,5 cm

13500 SERIES OVEN SPECIFICATION



Model	13520	13575	13540	13545	13576	13577
Capacity (L)	40	45	40	40	45	45
Voltage (v)	220-240	220-240	220-240	220-240	220-240	220-240
Frequency (Hz)	50	50	50	50	50	50
Functions	3	4	4	5	3	3
Oven Type	Static	Static + Fan	Static + Rotisserie	Static + Fan + Rotisserie	Static	Static
Double Glass	Optional	Optional	Optional	Optional	Optional	Optional
Timer	Mechanical Timer	Mechanical Timer	Mechanical Timer	Mechanical Timer	-	-
Thermostat	Yes	Yes	Yes	Yes	Yes	Yes
Turbo Fan	-	-	Yes	Yes	-	-
Grill	-	-	Yes	Yes	-	-
Rotisserie	-	-	Yes	-	-	Yes
Interior Light	Hologen	Hologen	Hologen	Hologen	Hologen	Hologen
Shelf Positions	3	3	3	3	3	3
Side Shelves	Embedded	Embedded	Embedded	Embedded	Embedded	Embedded
Interior Accessory	1x Cr-ni grid, 1x Enamelled Rectangle Tray	1x Cr-ni grid, 1x Enamelled Rectangle Tray	1x Cr-ni grid, 1x Enamelled Rectangle Tray	1x Cr-ni grid, 1x Enamelled Rectangle Tray	1x Cr-ni grid, 1x Enamelled Rectangle Tray	1x Cr-ni grid, 1x Enamelled Rectangle Tray
Packing	Polyfoam + Box	Polyfoam + Box	Polyfoam + Box	Polyfoam + Box	Polyfoam + Box	Polyfoam + Box
Oven Power	1800 W or 1450 W	1800 W or 1450 W	1800 W or 1450 W	1800 W or 1450 W	1800 W or 1450 W	1800 W or 1450 W
Hotplates	-	-	-	-	1000 + 1500 W	1000 + 1500 + 450 W
Widen Back Cover (Borekci)	-	Yes	-	-	Yes	Yes



KUMTEL®

Technical Details

KUMTEL®

BUILT-IN OVENS



KNOB AND HANDLE OPTIONS

ASYA **KNOB**



DOME **KNOB**



CRYSTAL **KNOB**



PLATINIUM **KNOB**



POP-UP **KNOB**

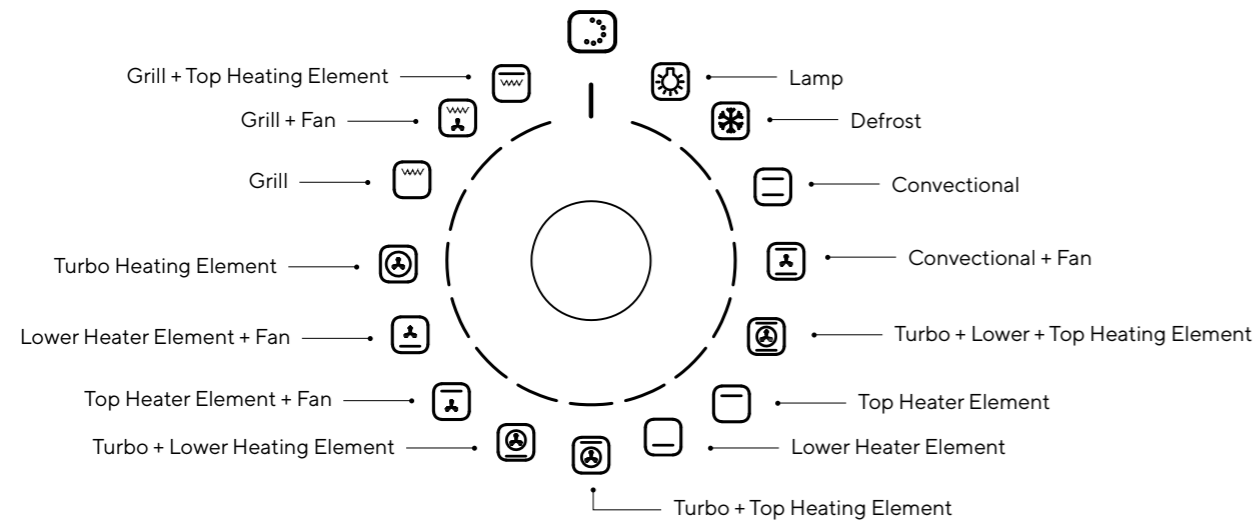


RUSTIK **KNOB**



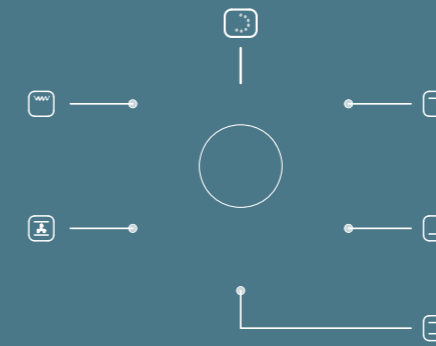
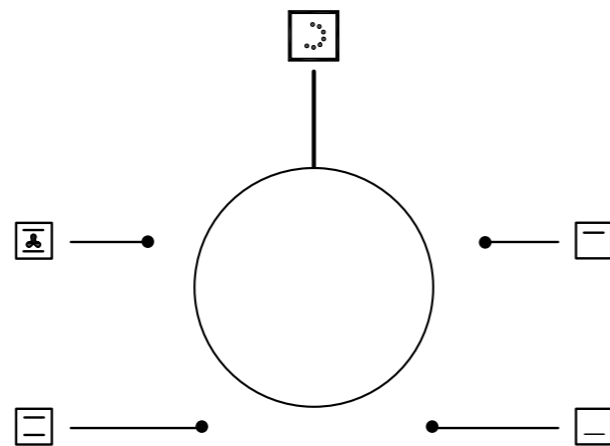
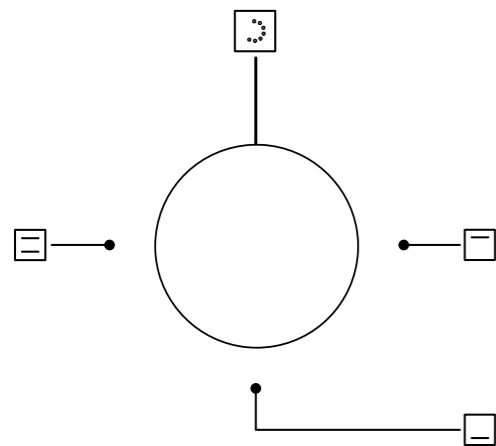
PROGRAM OPTIONS

15+1

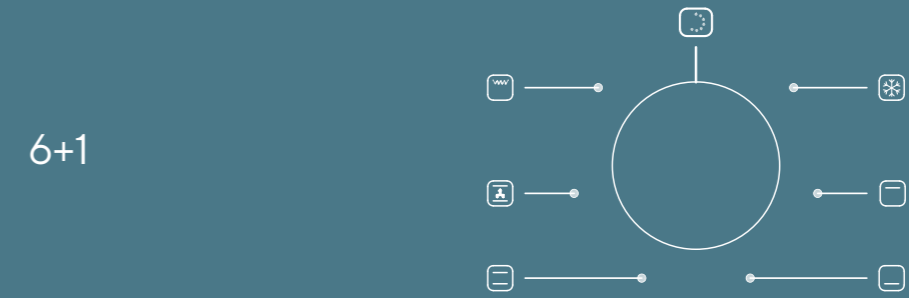


3+1

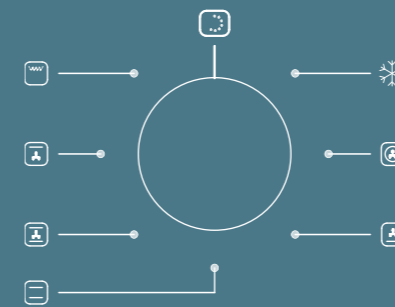
4+1



5+1



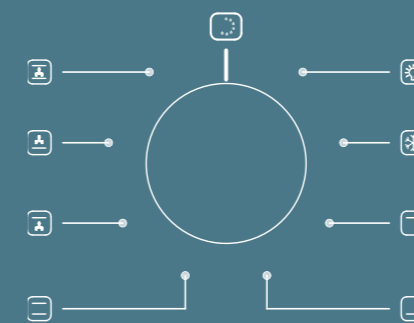
6+1



7+1



8+1



9+1

KNOB AND HANDLE OPTIONS



BABIL HANDLE



DOLU HANDLE



CLASSIC HANDLE



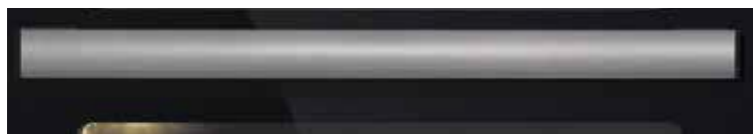
LARA HANDLE



MASTER HANDLE



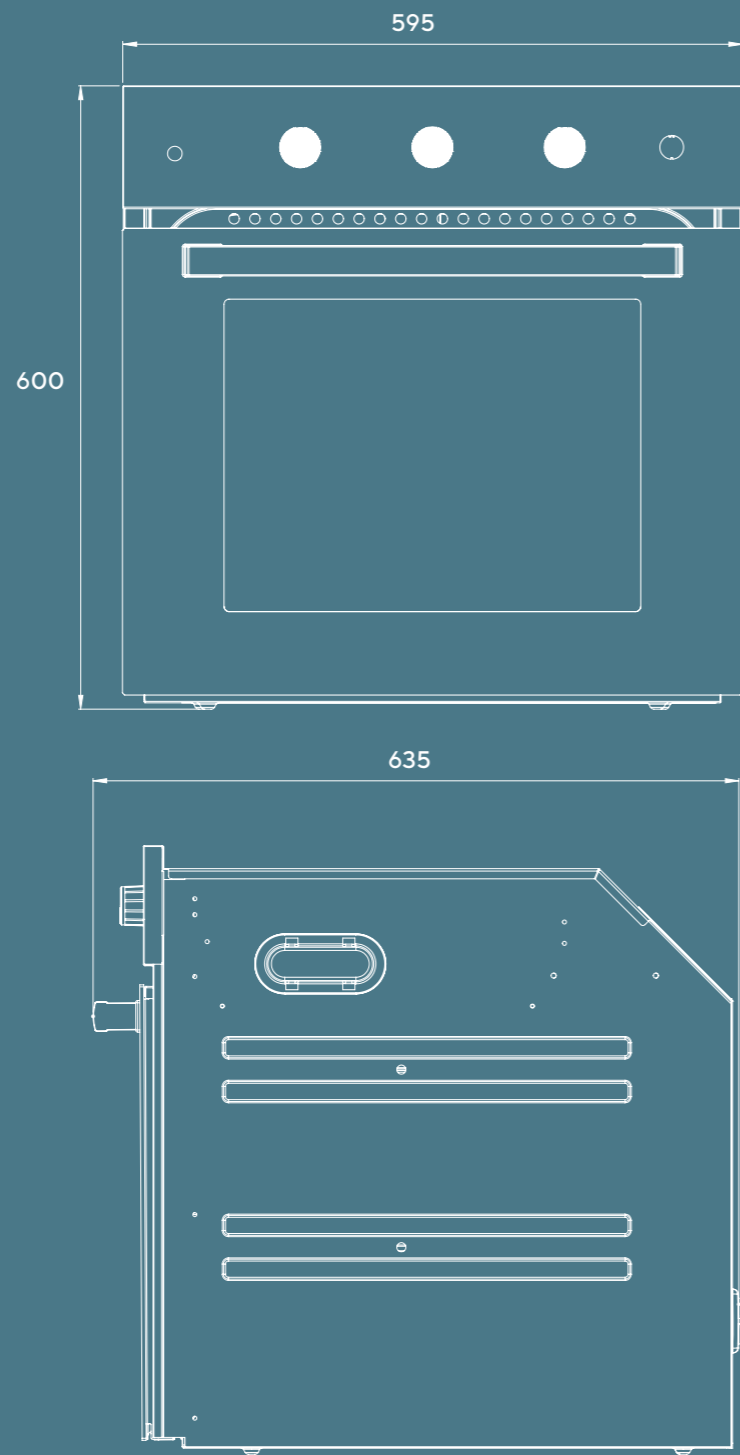
RUSTIK HANDLE



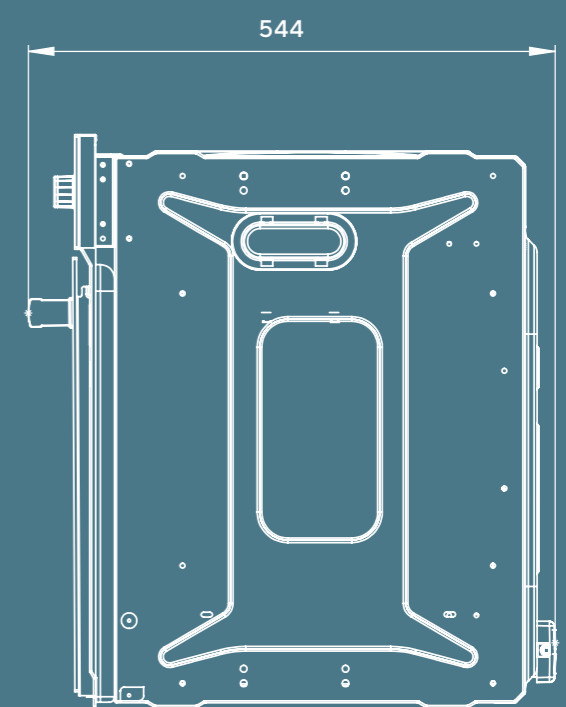
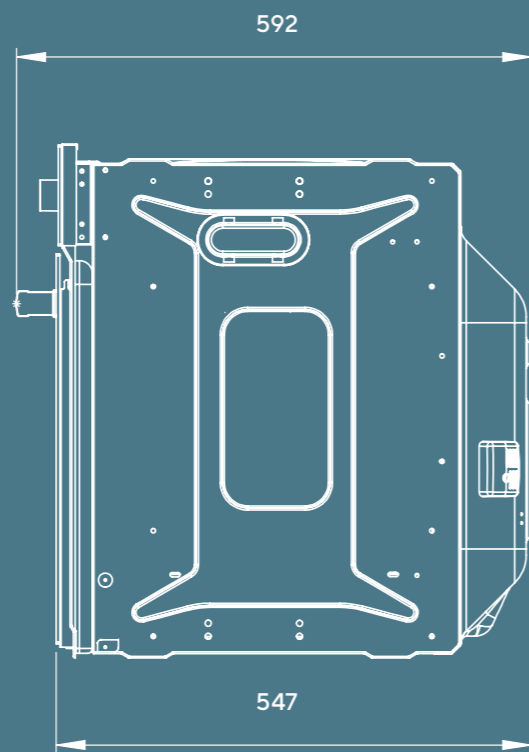
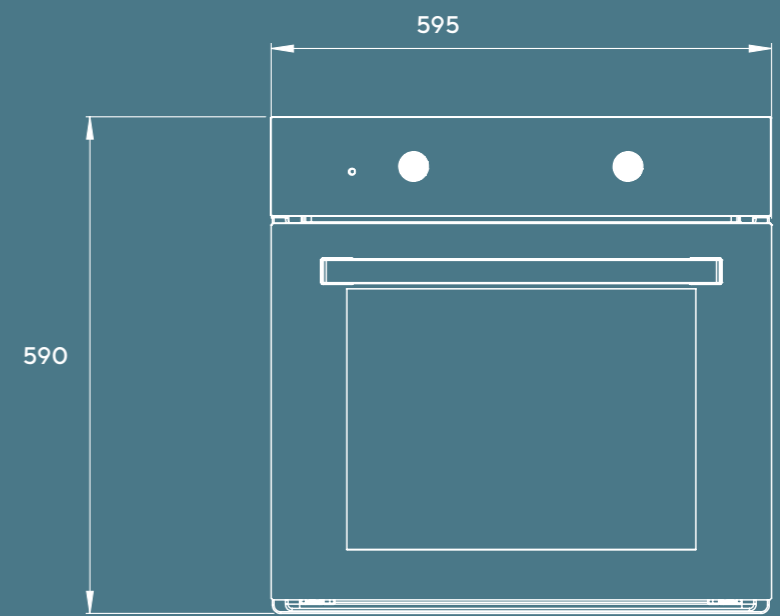
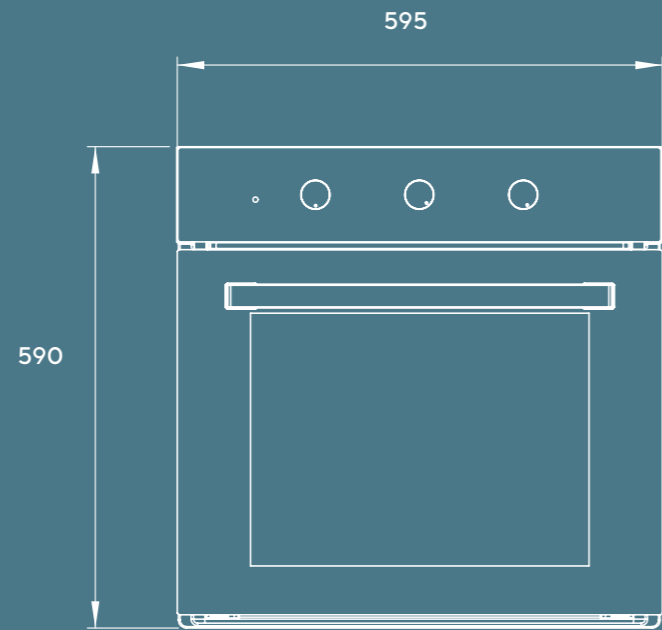
SARAY HANDLE



A6 SERIES



B66 SERIES



KUMTEL

KUMTEL®

BUILT-IN COOKER



KNOB AND HANDLE OPTIONS



DOME
KNOB



İNCİ
KNOB



CRYSTAL
KNOB

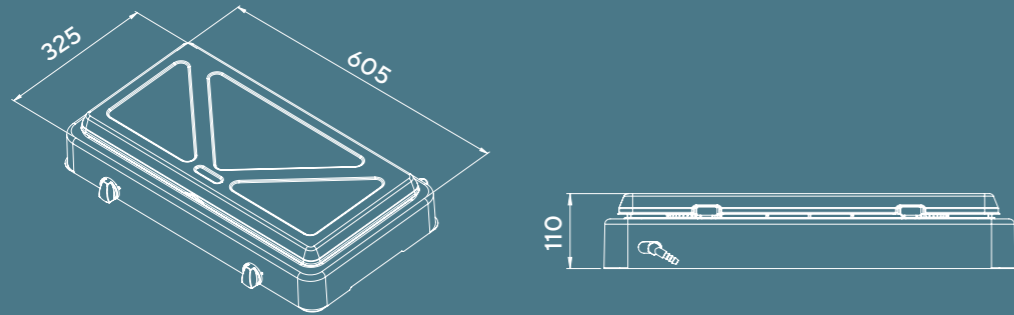


ESİN
KNOB

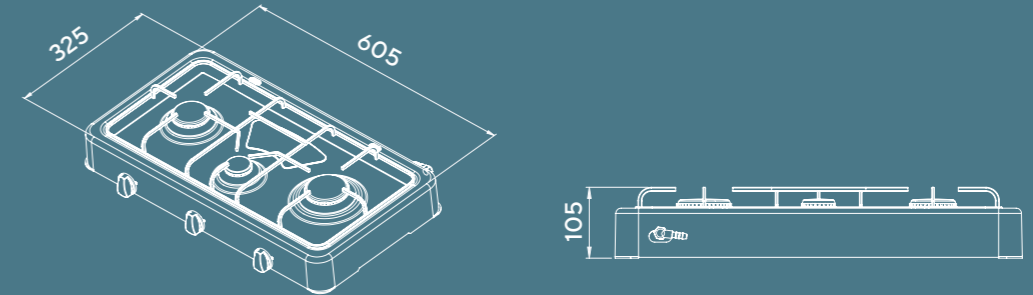


PLATINIUM
KNOB

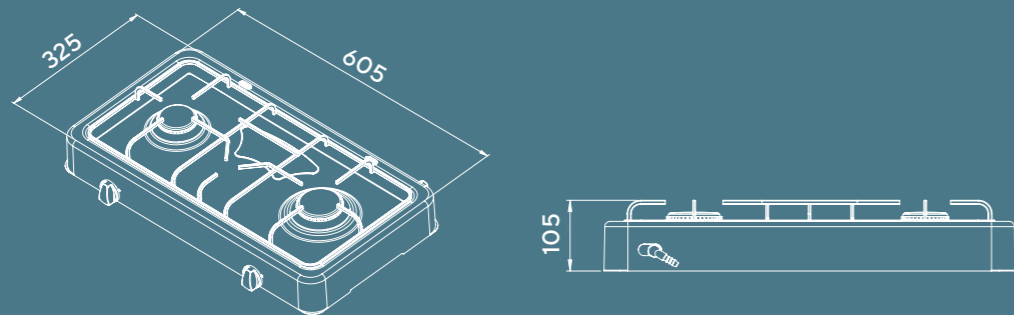
102
WITH LID



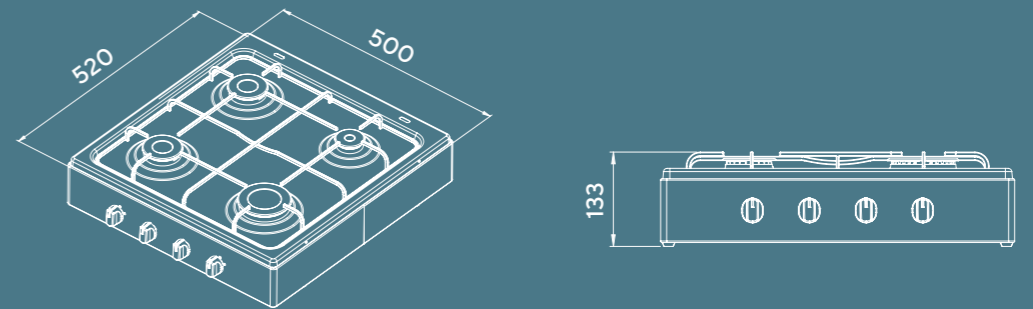
123
WITHOUT LID



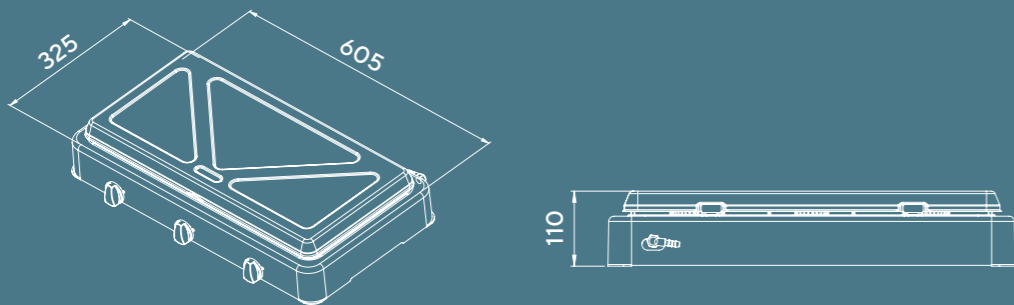
102
WITHOUT LID



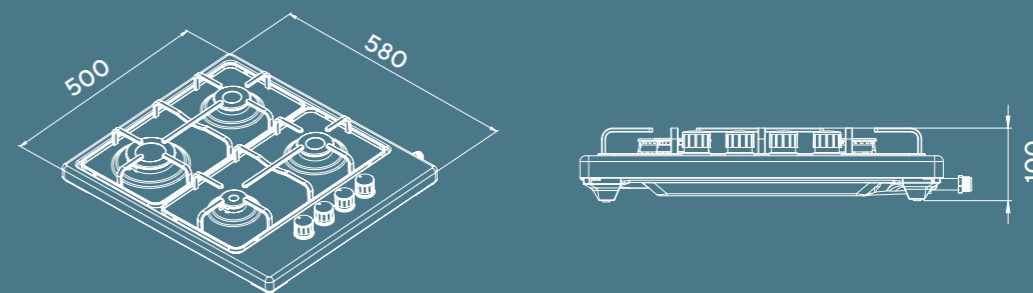
204



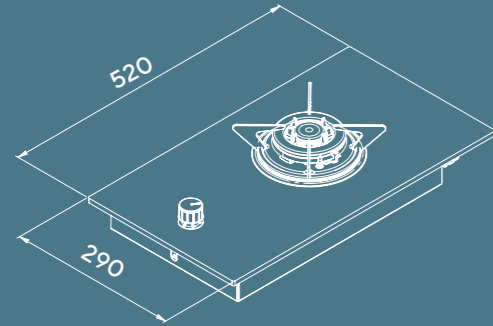
123
WITH LID



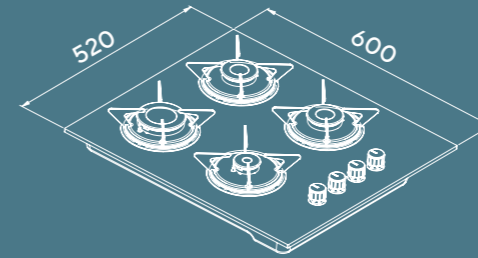
420



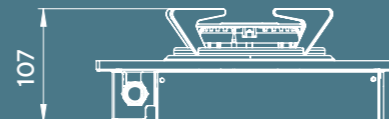
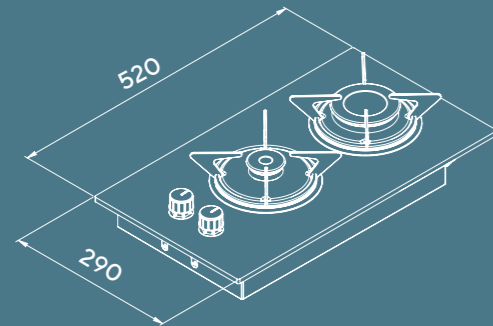
C3-10WF



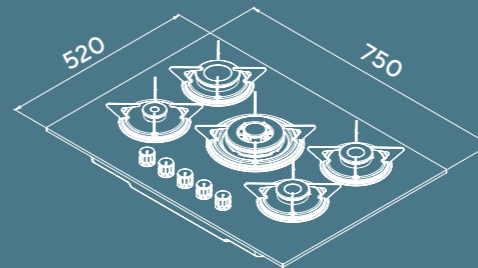
LX-40TAHDF



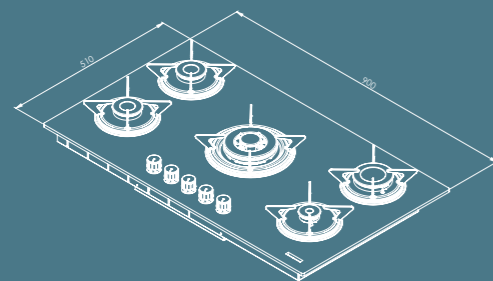
C3-20F



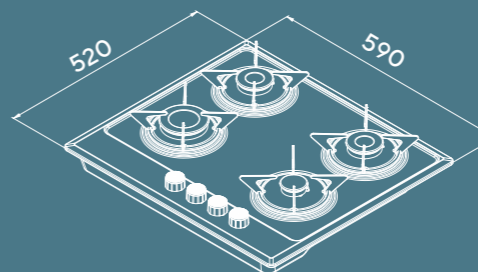
LX-50OAHDF



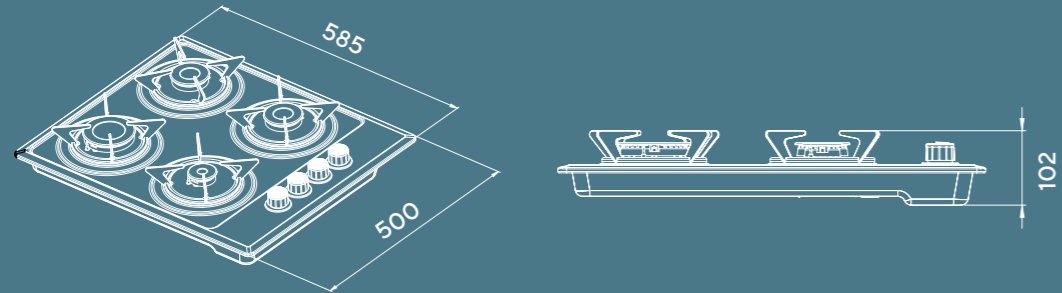
C9-50WF



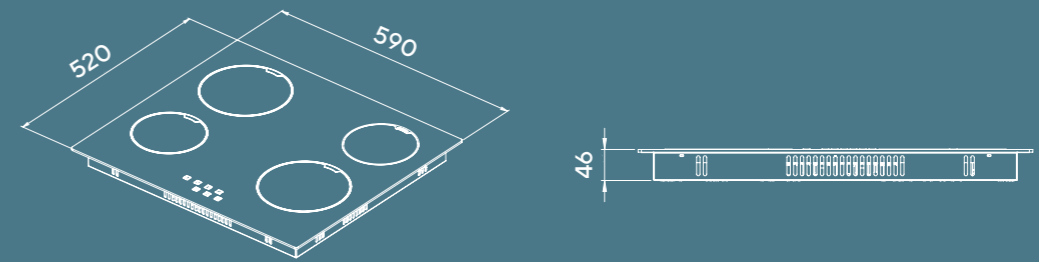
M6-NIL



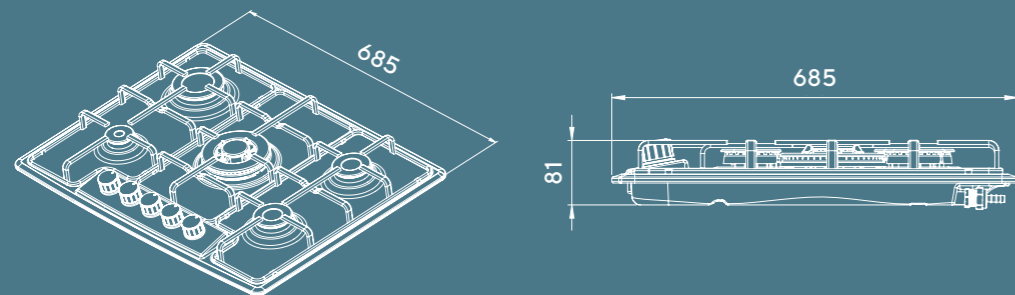
M6-VIOLET



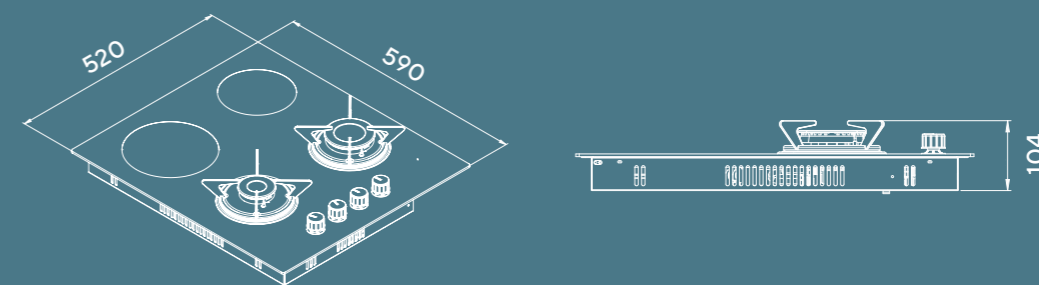
V6-04T



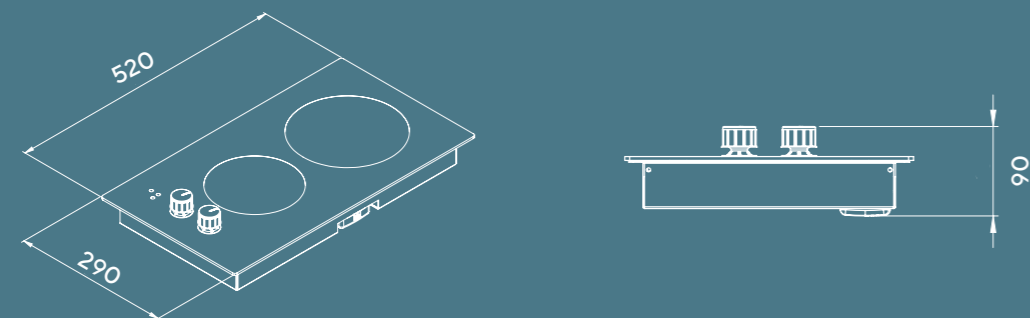
M7-FLAT



V6-22PYF



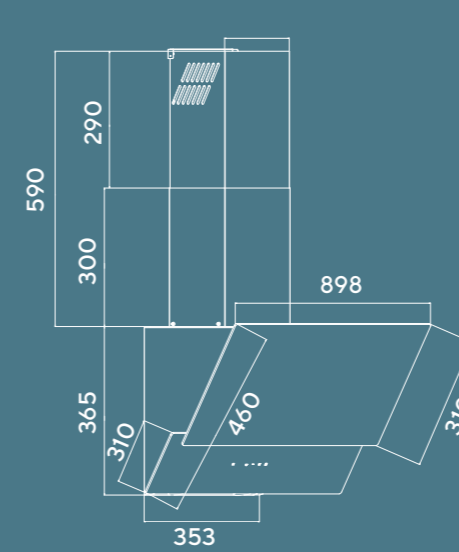
V3-02P



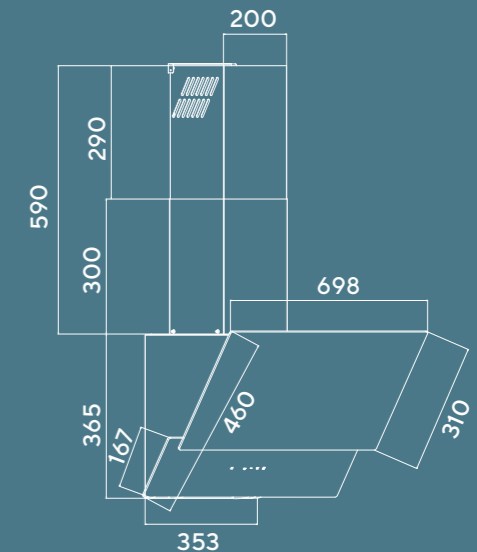
RANGE HOODS



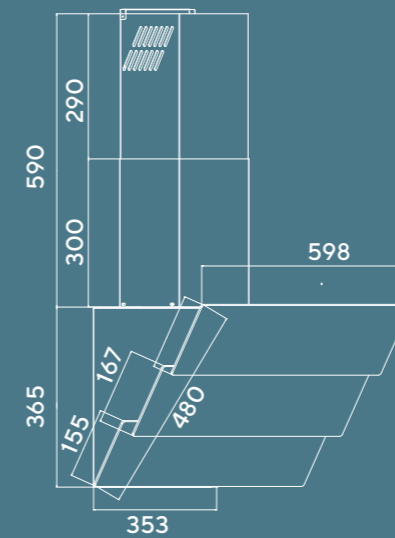
DA9-835 MODEL
(90 CM)



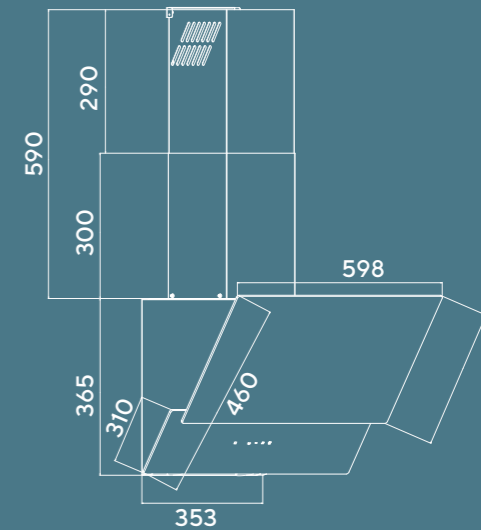
DA7-835 MODEL
(70 CM)



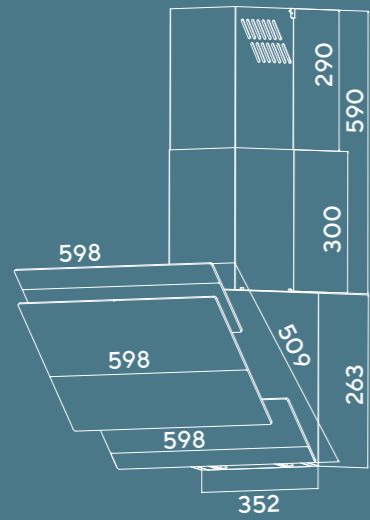
DA6-855 MODEL



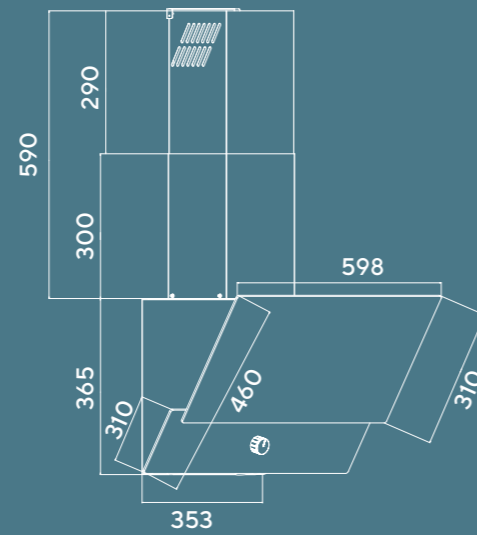
DA6-835 MODEL



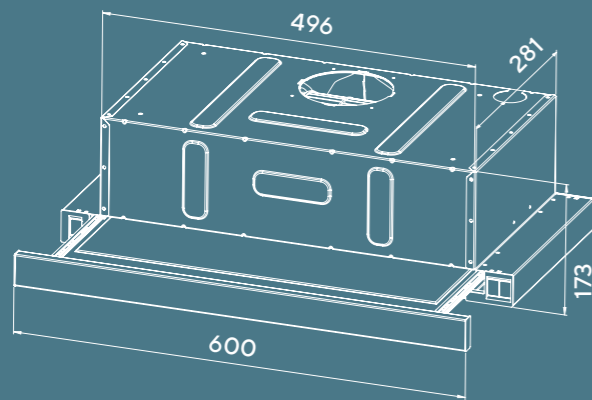
DA6-865 MODEL



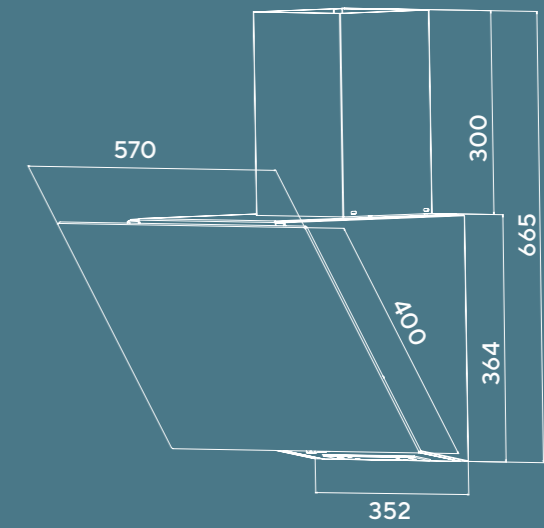
DA6-830



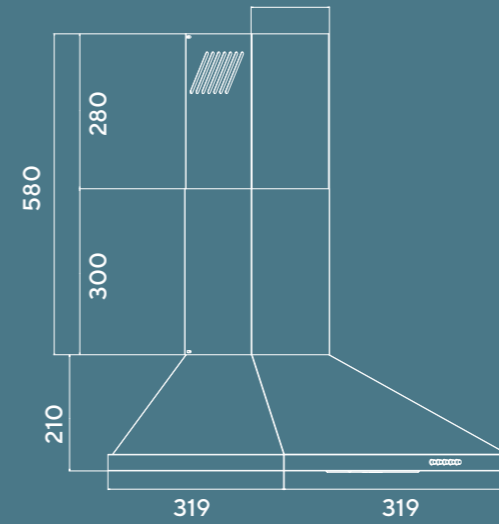
DS6- 905



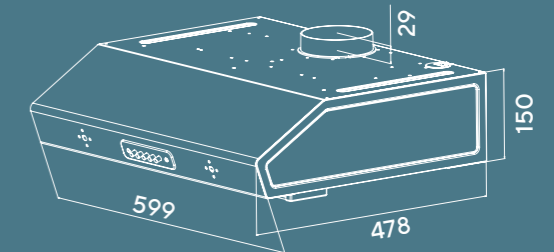
DA6-833



DP6



CLASSIC



KUMTEL®

FREESTANDING OVEN



KNOB AND HANDLE OPTIONS

ASYA **KNOB**



PAPYON **KNOB**



CRYSTAL **KNOB**



PLANET **KNOB**



RUSTIK **KNOB**



KNOB AND HANDLE **OPTIONS**



BABIL **HANDLE**



DOLU **HANDLE**



CLASSIC **HANDLE**



LARA **HANDLE**



MASTER **HANDLE**



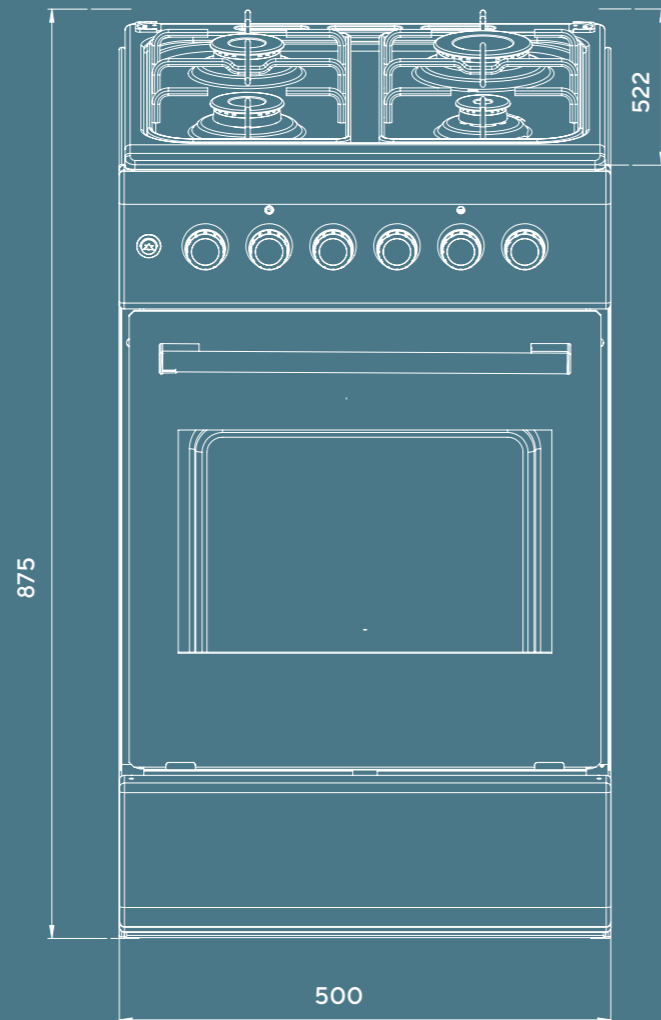
OMEGA **HANDLE**



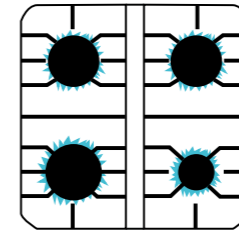
RUSTIK **HANDLE**



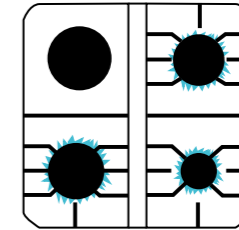
SARAY **HANDLE**



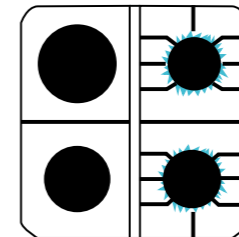
GAS HOB CONFIGURATION



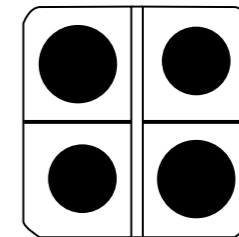
1 Auxiliary, 2 Semi Rapid, 1 Rapid



1 Auxiliary, 1 Semi Rapid,
1 Rapid, 1 Hotplate



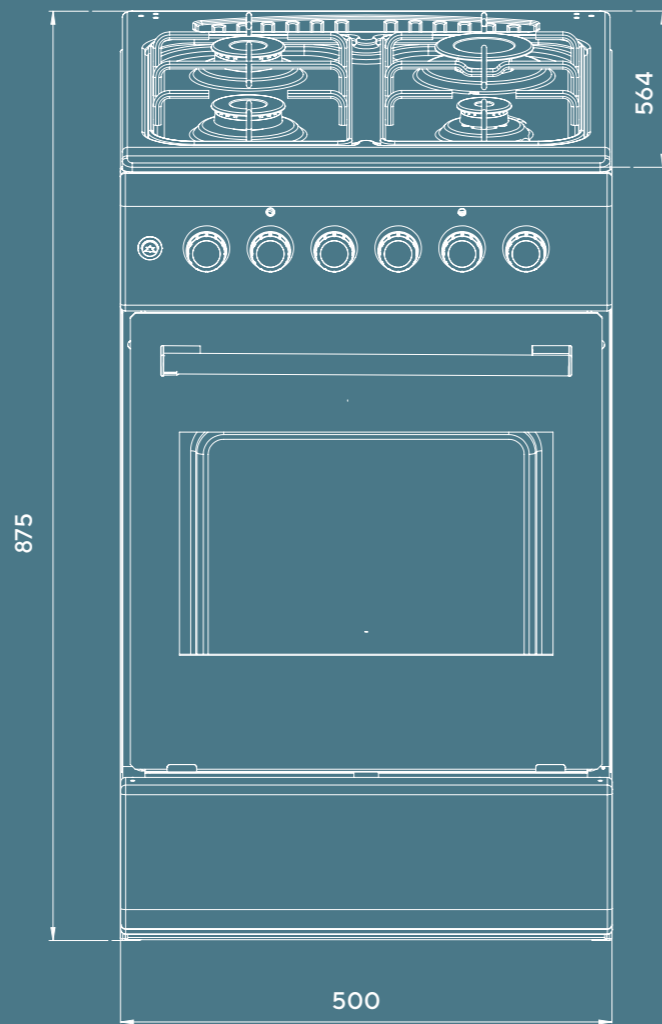
1 Semi Rapid, 1 Rapid, 2 Hotplate



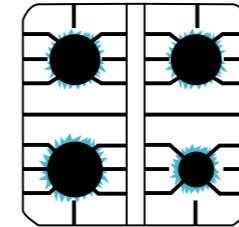
4 Hotplate

Hob Configurations For 50x50 Free Standing Oven

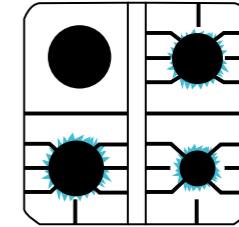




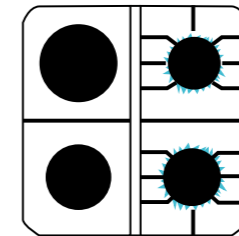
GAS HOB CONFIGURATION



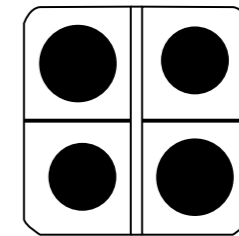
1 Auxiliary, 2 Semi Rapid, 1 Rapid



1 Auxiliary, 1 Semi Rapid,
1 Rapid, 1 Hotplate



1 Semi Rapid, 1 Rapid, 2 Hotplate

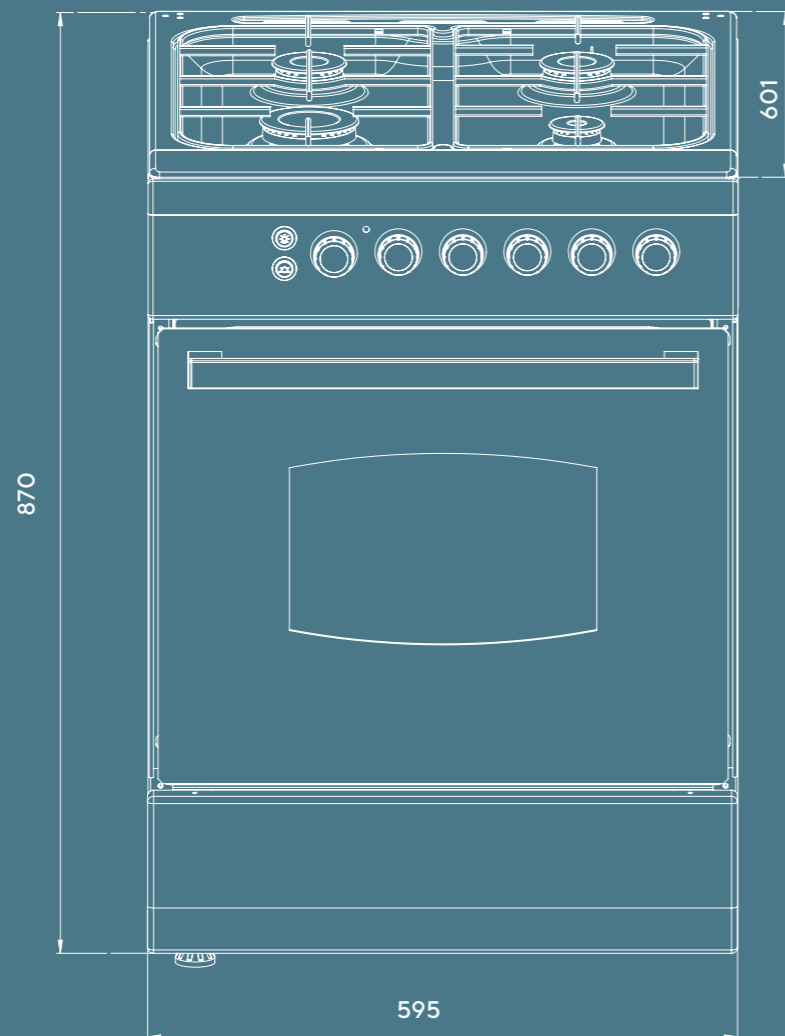


4 Hotplate

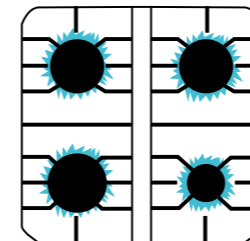
Hob Configurations For 50x60 Free Standing Oven



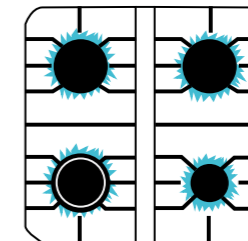
60x60



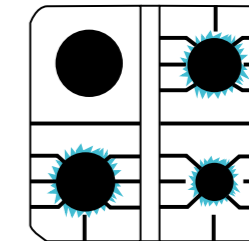
GAS HOB CONFIGURATION



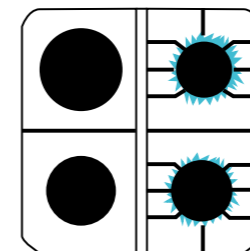
1 Auxiliary, 2 Semi Rapid,
1 Rapid



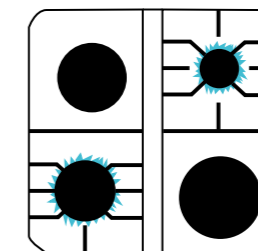
1 Mini Wok, 2 Semi Rapid,
1 Auxiliary



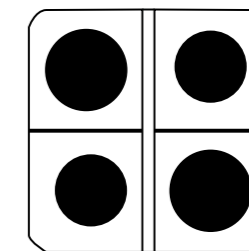
1 Auxiliary, 1 Semi Rapid,
1 Rapid, 1 Hotplate



1 Semi Rapid, 1 Rapid, 2 Hotplate



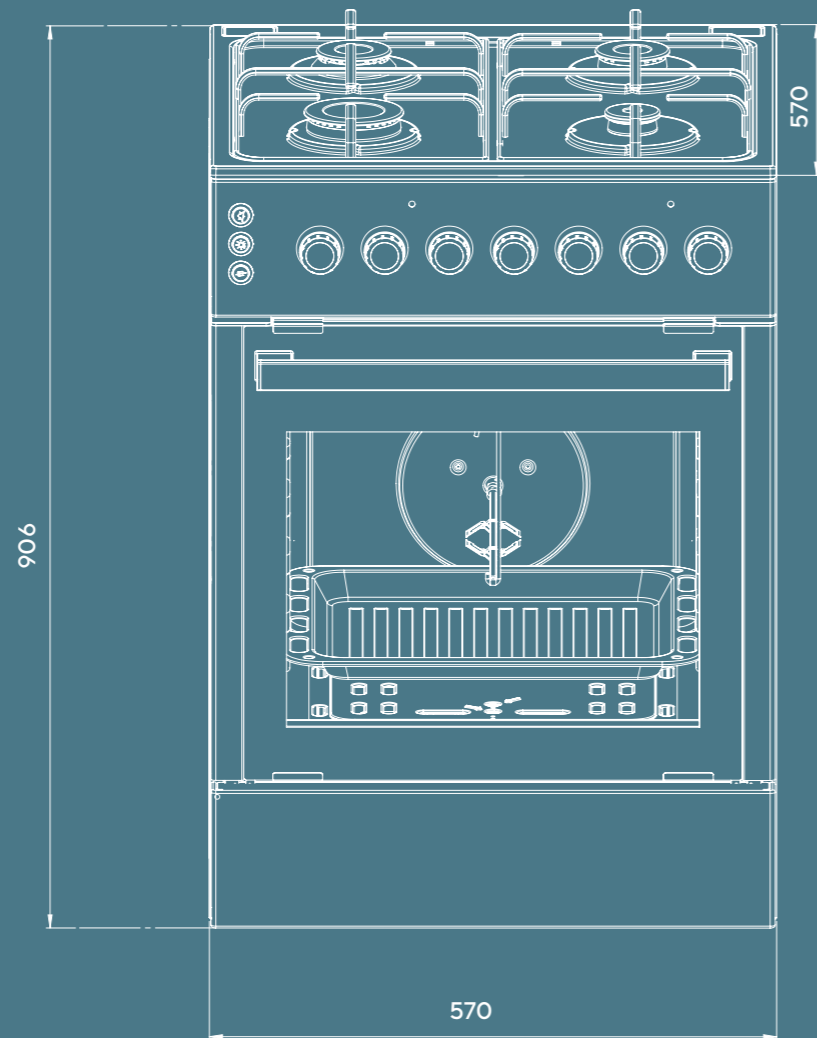
1 Rapid, 1 Auxiliary, 2 Hotplate



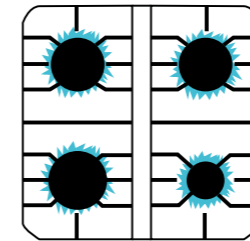
4 Hotplate

Hob Configurations For 60x60 Free Standing Oven

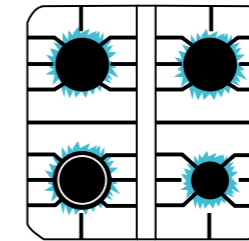




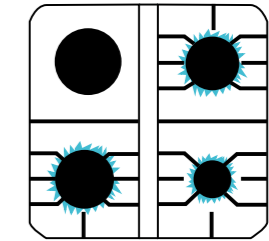
GAS HOB CONFIGURATION



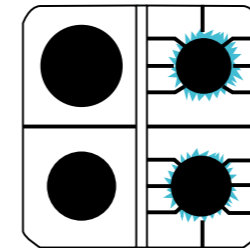
1 Auxiliary, 2 Semi Rapid,
1 Rapid



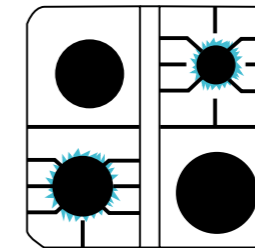
1 Mini Wok, 2 Semi Rapid,
1 Auxiliary



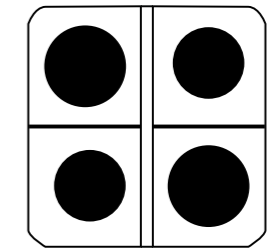
1 Auxiliary, 1 Semi Rapid,
1 Rapid, 1 Hotplate



1 Semi Rapid, 1 Rapid, 2 Hotplate



1 Rapid, 1 Auxiliary, 2 Hotplate

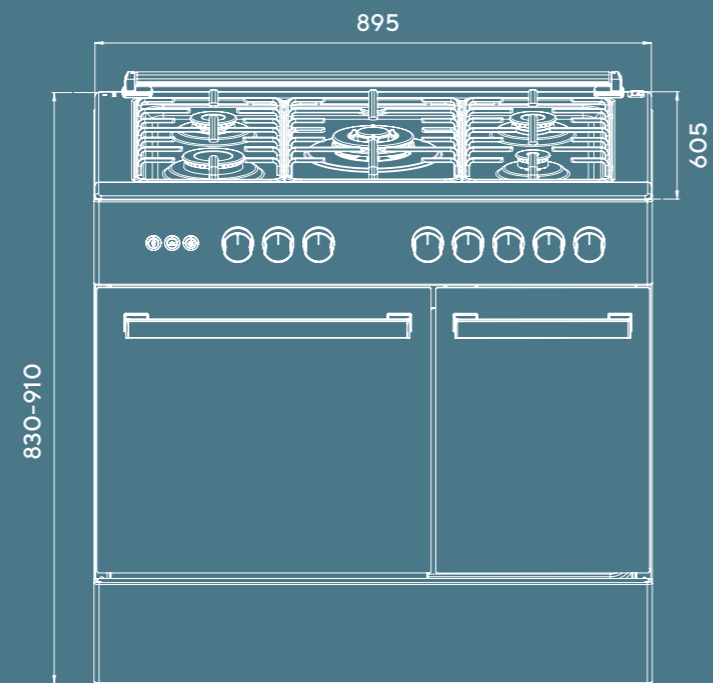


4 Hotplate

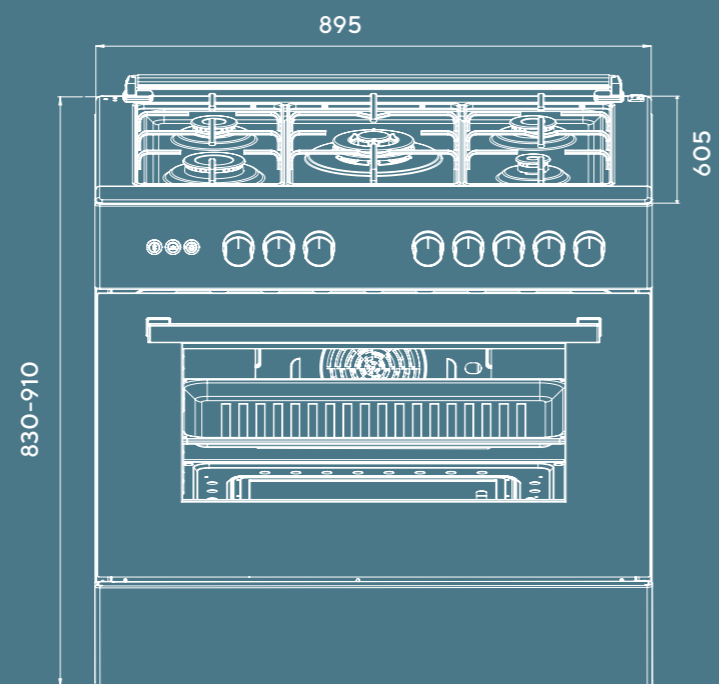
Hob Configurations For 66 Planet Free Standing Oven



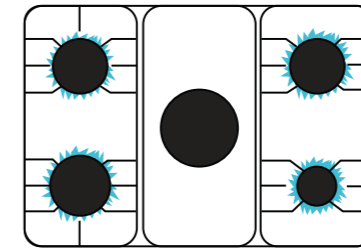
696



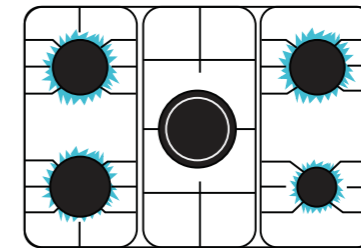
699



GAS HOB CONFIGURATION



1 Auxiliary, 2 Semi Rapid, 1 Rapid, 1 Hotplate



1 Auxiliary, 2 Semi Rapid, 1 Rapid, 1 Wok Bek

Hob Configurations For 60x90 Free Standing Oven



KUMTEL

MINI OVEN



KNOB AND HANDLE OPTIONS



DEFNE KNOB



CRYSTAL KNOB



KUMBET KNOB



PAPYON KNOB



KNOB AND HANDLE OPTIONS



PERA KNOB



RUSTIK KNOB



STAREX KNOB

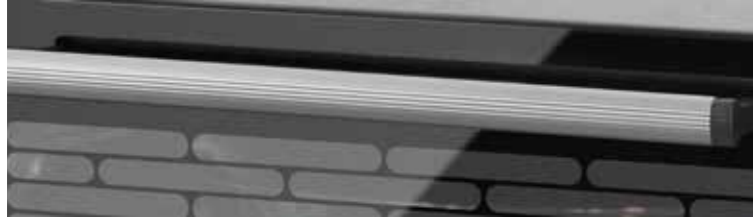


SEDEF KNOB

KUMTEL



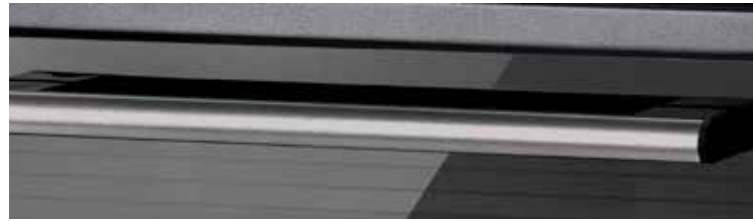
KNOB AND HANDLE OPTIONS



ANADOLU **HANDLE**



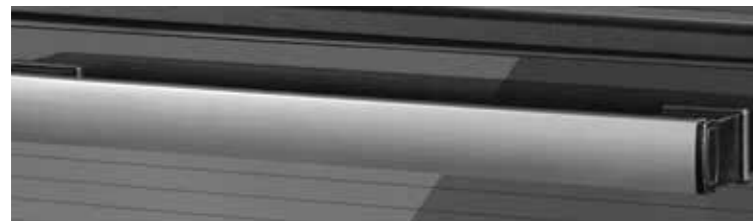
DEFNE **HANDLE**



MASTER **HANDLE**



RUSTIK **HANDLE**

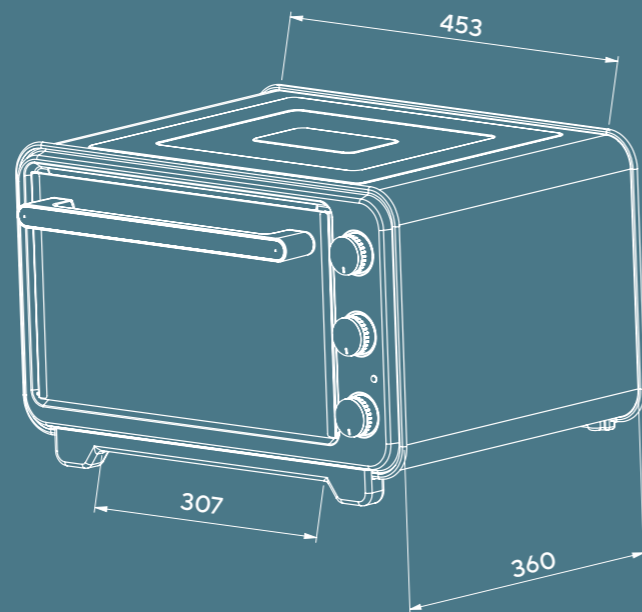
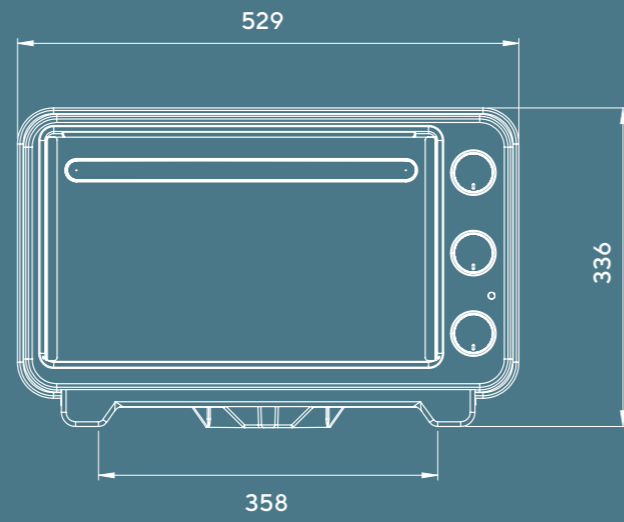


SARAY **HANDLE**

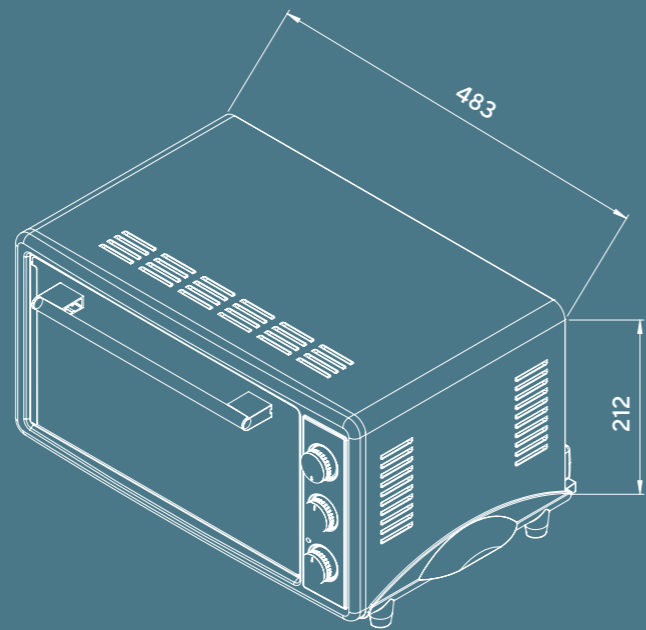
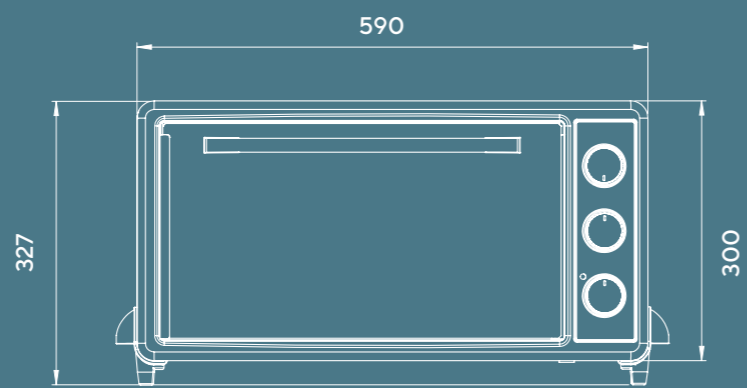
KUMTEL®



3125 SERIES



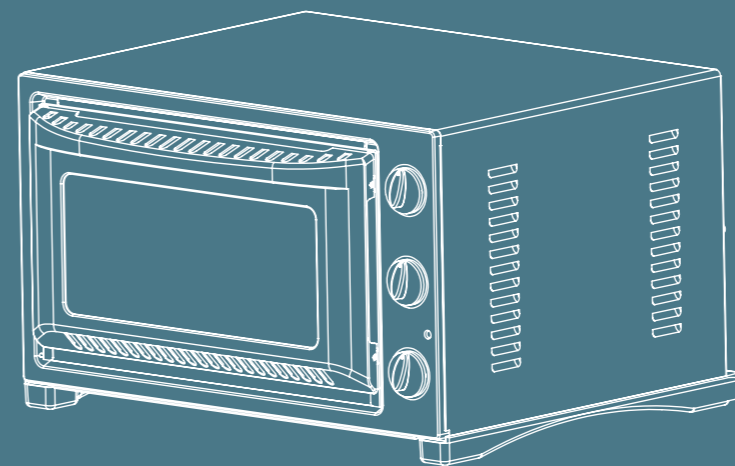
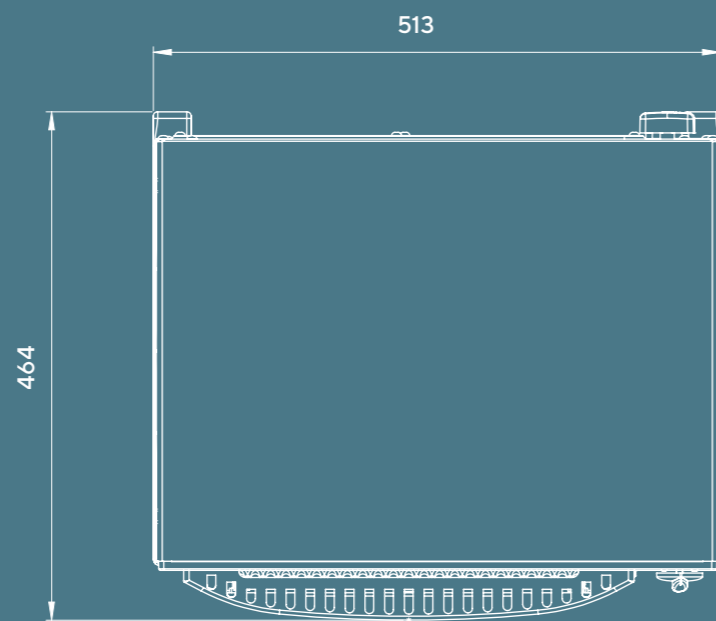
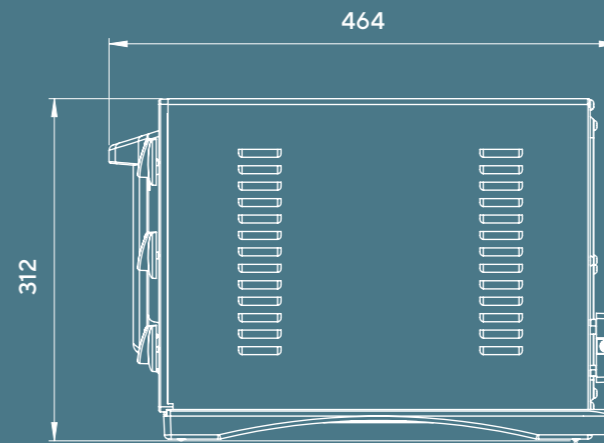
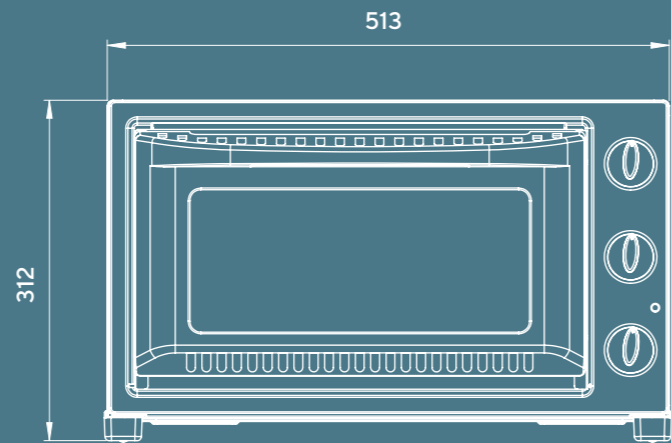
3520 SERIES



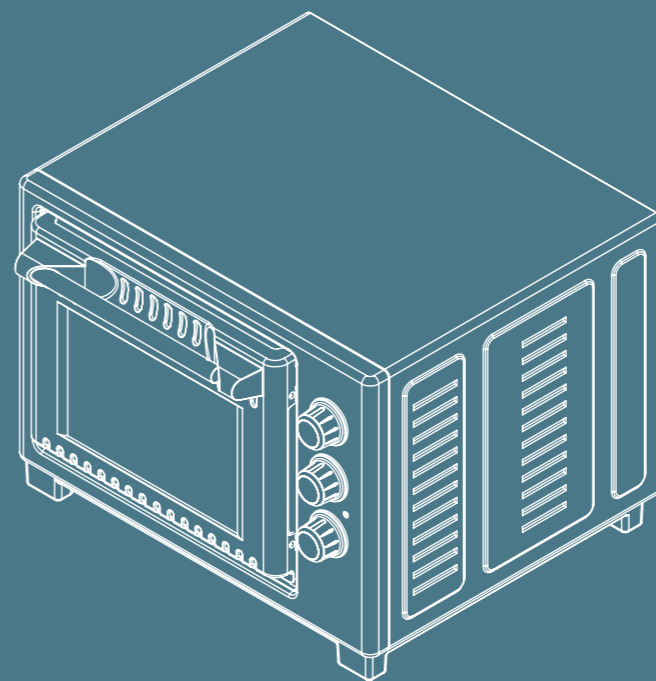
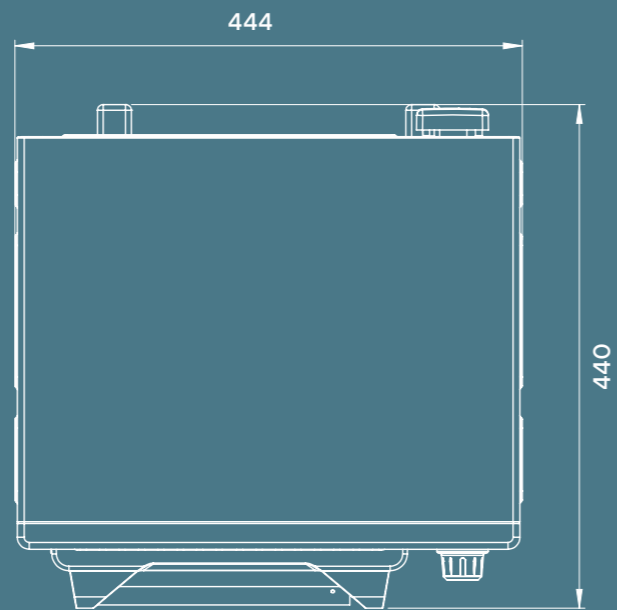
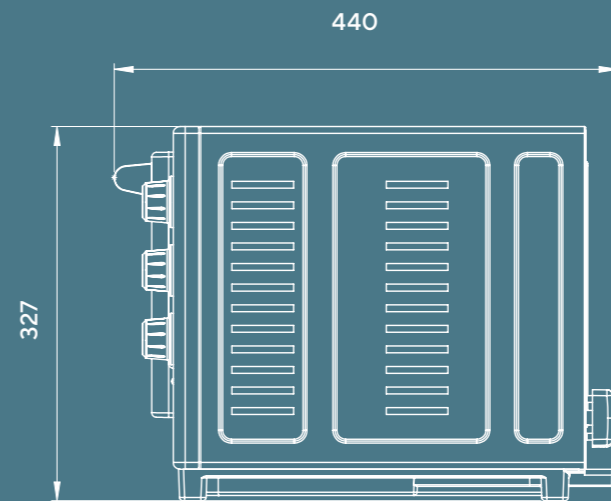
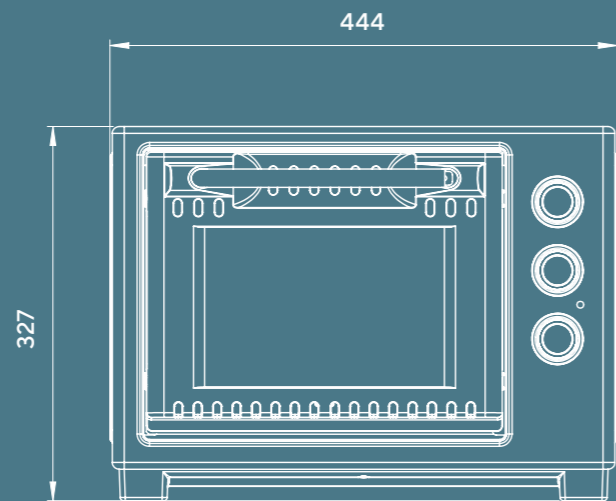
KUMTEL®



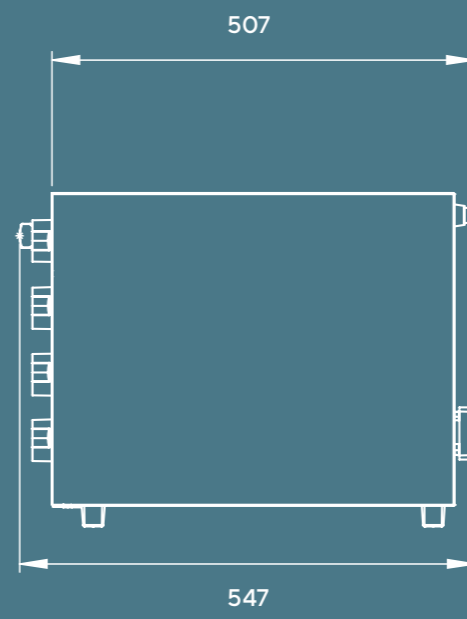
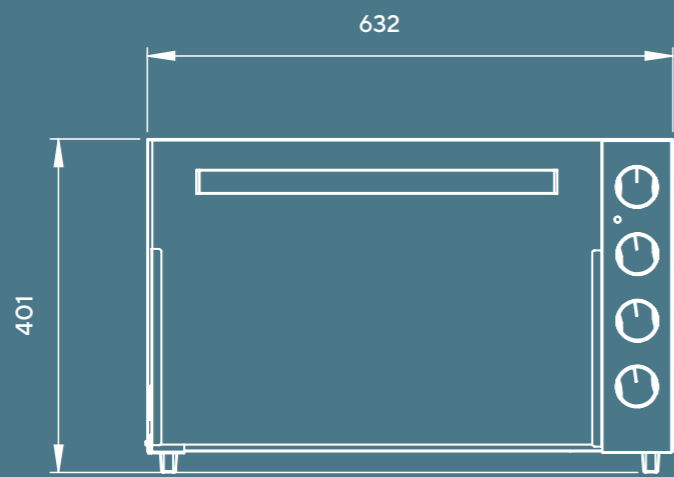
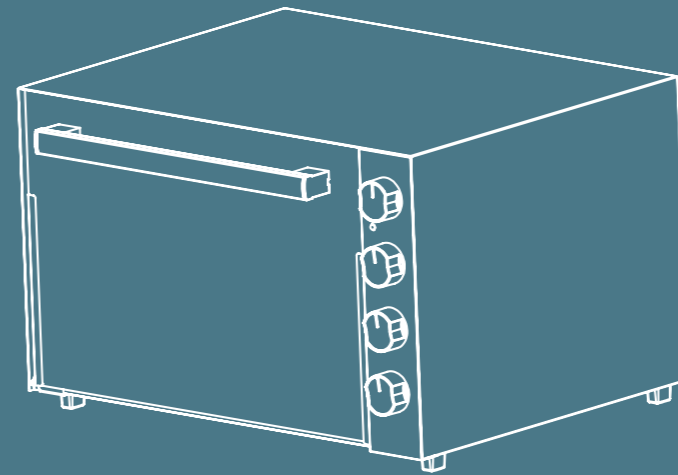
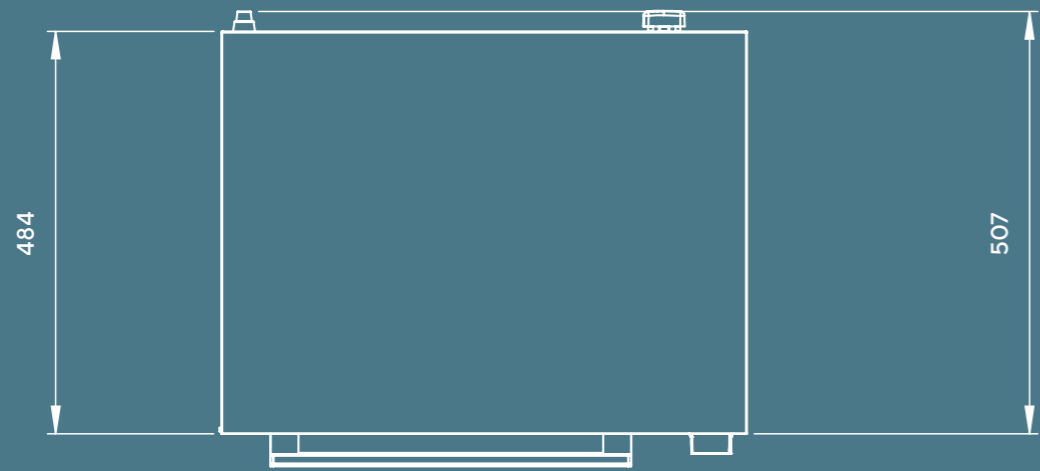
5320 SERIES



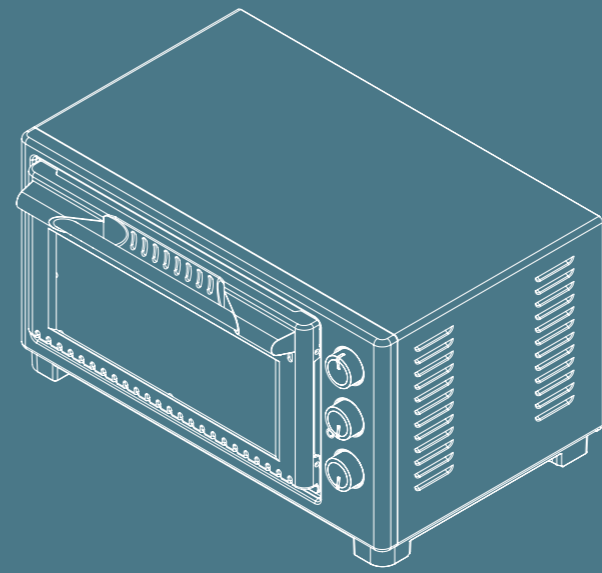
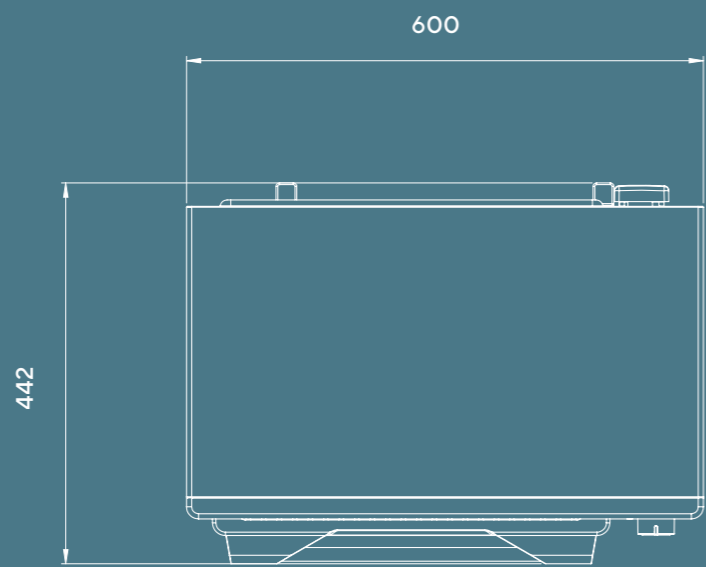
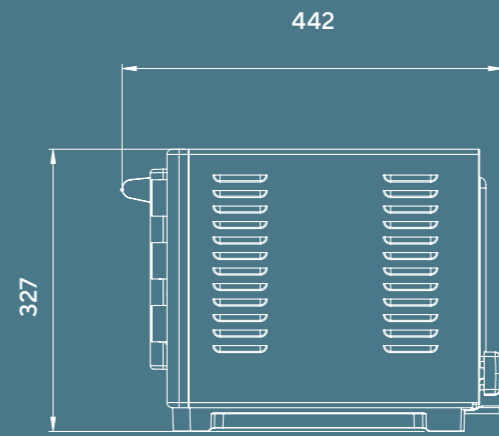
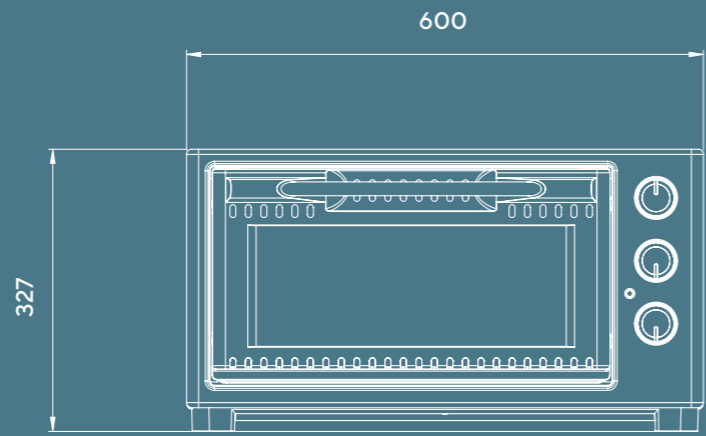
8520 SERIES



9320 SERIES



13520 SERIES



KUMTEL®

Loading Quantity

KUMTEL®

BUILT-IN OVEN



Model	Packing Type	40'HC Loading Quantity
A6	Polyfoam + Shrink	216
B66 S	Polyfoam + Shrink	288
B66 SF	Polyfoam + Shrink	228

BUILT-IN HOB



Model	Packing Type	40' HC Loading Quantity
V3-02P	Polyfoam + Box	2600
V6-04 T	Polyfoam + Box	1800
V6-22 PYF	Polyfoam + Shrink	1300
V6-31 PYF	Polyfoam + Shrink	1300
C3-10WF	Polyfoam + Shrink	2600
C3-20BF	Polyfoam + Shrink	2600
C6-40 BF	Polyfoam + Shrink	1070
C6-40 WBF	Polyfoam + Shrink	1070
C6-40 BTF (Platinum)	Polyfoam + Shrink	1070
C6-40 TF	Polyfoam + Shrink	1070
C7-50 WF	Polyfoam + Box	880
C9-50 WF	Polyfoam + Box	1000
C9-50 WTF	Polyfoam + Box	1000
KO-410 BF	Polyfoam + Shrink	1300
KO-410 BF	Polyfoam + Box	1600
KO-412 BF	Polyfoam + Shrink	1300
KO-412 BF	Polyfoam + Box	1600
M6-40 BF Violet	Polyfoam + Box	1600
M6-31 BF Violet	Polyfoam + Box	1600
M6-22 BF Violet	Polyfoam + Box	1600
M6-04	Polyfoam + Box	1600
KO-410 BF EKOL	Polyfoam + Box	1650
M6-40 BF Nil	Polyfoam + Box	1300
M6-31 BF Nil	Polyfoam + Box	1300
M6-22 BF Nil	Polyfoam + Box	1300
M6-04 Nil	Polyfoam + Box	1300
M7-50 BF Flat	Polyfoam + Box	1000

COUNTERTOP HOB



Model	Packing Type	40' HC Loading Quantity
C3-10 WF	Polyfoam + Shrink	2600
C3-20 F	Polyfoam + Shrink	2600
C6-40 F	Polyfoam + Shrink	1070
KO-420 F	Polyfoam + Shrink	1300
KO-420 F	Polyfoam + Box	1600
KO-102	Box	3000
KO-123	Box	3000
KO-104	Box	2250
KO-204	Box	1150
V3-02 P	Polyfoam + Box	2600
LX-7115	Box	7300
LX-7021	Box	4200

RANGE HOOD



Model	Packing Type	40' HC Loading Quantity
DA6-830	Polyfoam + Box	600
DA6-855	Polyfoam + Box	600
DA6-865	Polyfoam + Box	600
DA6-832	Polyfoam + Box	600
DA6-833	Polyfoam + Box	600
DA6-835	Polyfoam + Box	600
DP-6	Polyfoam + Box	950
DP-6 RB	Polyfoam + Box	950
DA7-830	Polyfoam + Box	550
DA9-830	Polyfoam + Box	400
DK6-905	Polyfoam + Box	2000
DS6-905	Polyfoam + Box	2000

KUMTEL®

FREE STANDING OVEN



Model	Packing Type	40' HC Loading Quantity
50X50	Polyfoam + Box	240
50X50	Polyfoam + Shrink	204
50X60	Polyfoam + Box	192
50X60	Polyfoam + Shrink	204
60X60 Planet	Polyfoam + Box	228
60x60 Planet	Polyfoam + Shrink	190
60x60	Polyfoam + Box	151
60x60	Polyfoam + Shrink	176
60x90 Prof.	Polyfoam + Shrink	98
699 / 696	Polyfoam + Box	126

KUMTEL®

MINI OVEN



Model	Packing Type	40' HC Loading Quantity
8500 Series	Polyfoam + Box	824
3100 Series	Polyfoam + Box	728
3100 Series	Box	850
5300 Series	Polyfoam + Box	728
5300 Series	Box	850
5360 Series	Box	620
3500 Series	Polyfoam + Box	670
3500 Borekci Series	Polyfoam + Box	617
13500 Series	Polyfoam + Box	600
13500 Borekci Series	Polyfoam + Box	580
13500 Plate Series	Polyfoam + Box	496
9300 Series	Polyfoam + Box	390



Head Office:

Buyuk Hendek Street
No:57 Şiřhane / ISTANBUL
(+90) 212 292 2525

Factory:

Organize Sanayi Field
6. Street No: 42
Melikgazi / KAYSERİ
(+90) 352 321 1400